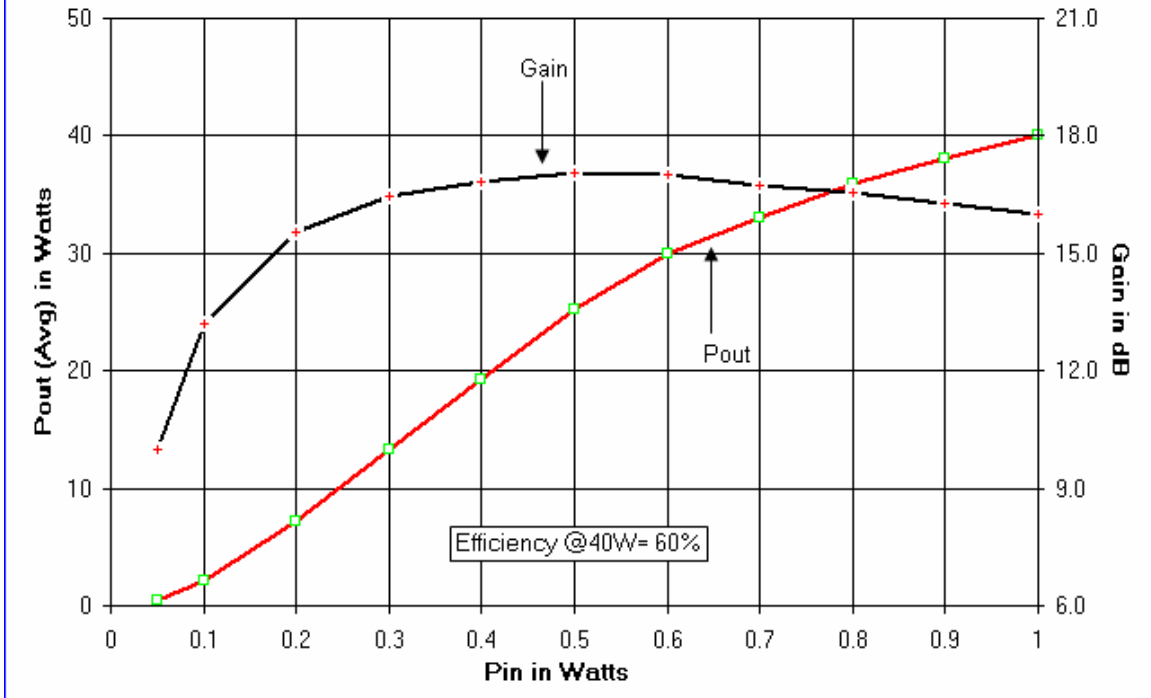
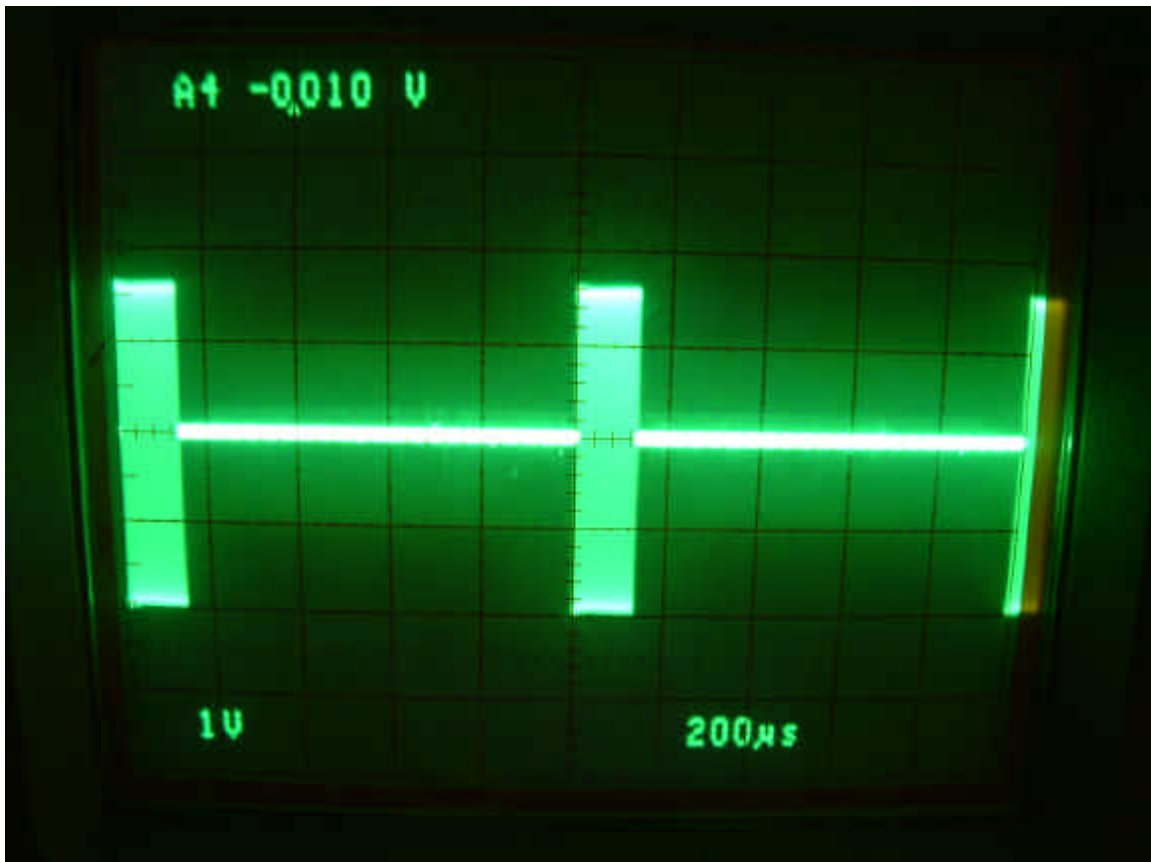
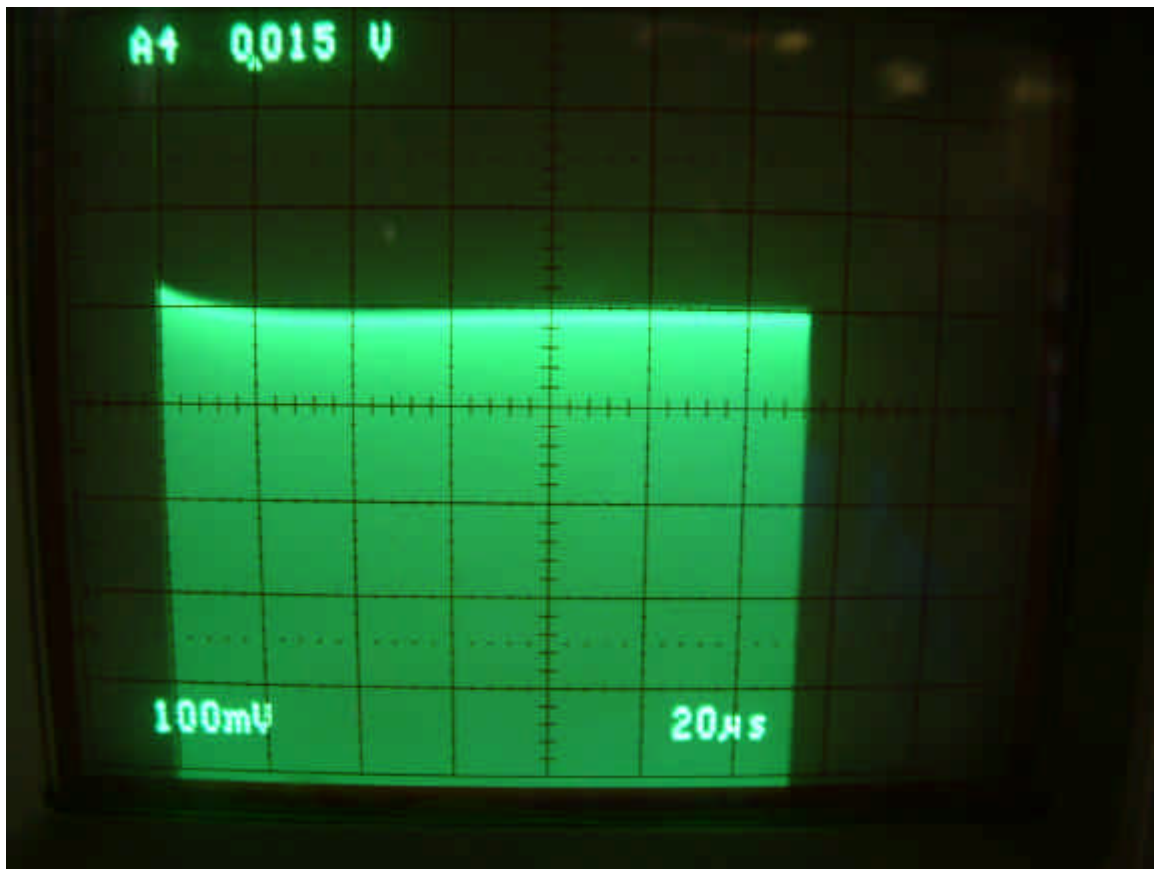


TB202, Pout/Gain vs.Pin Pulse, Period: 1msec, Duty Cycle: 10%  
SR341 Vds=50V Idq=50mA f=150MHz

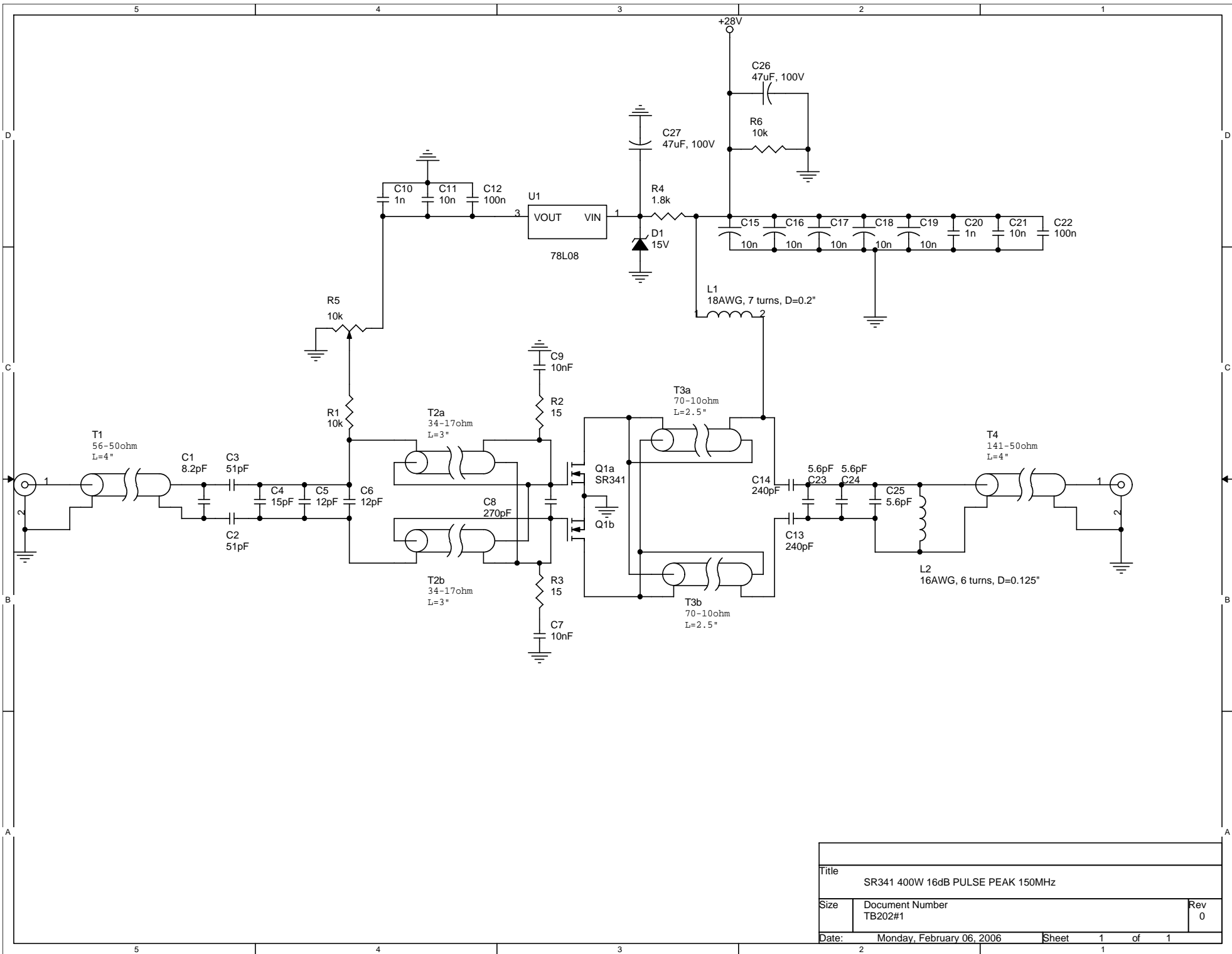




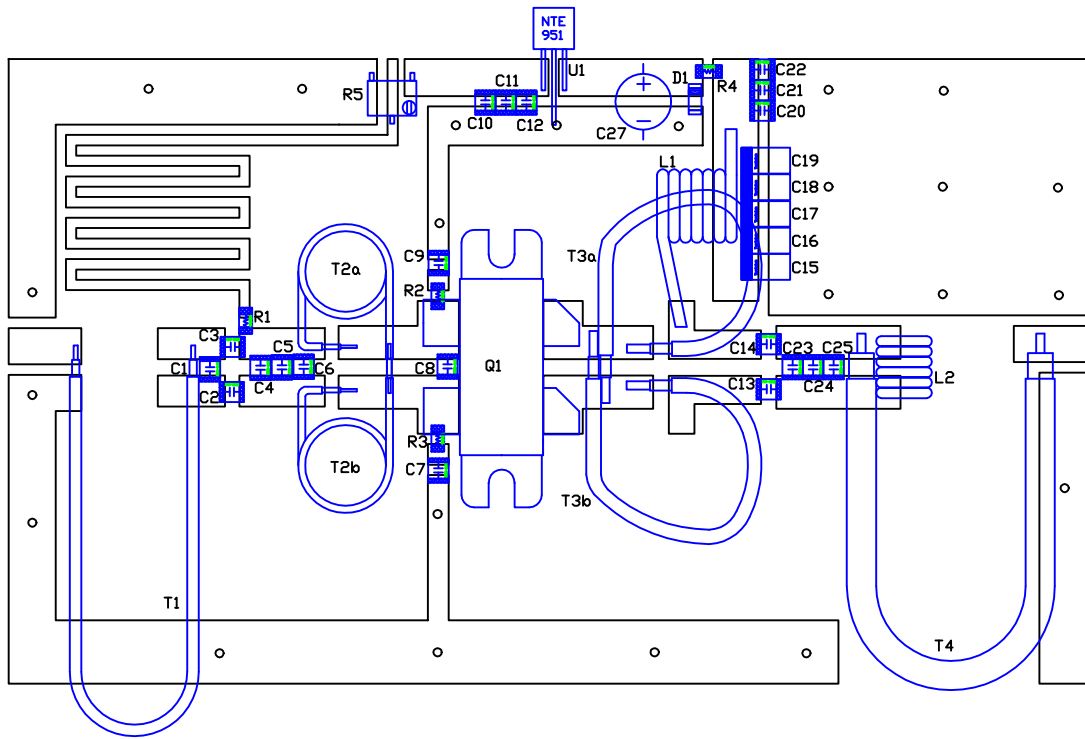
Pulse Test of TB202,  $T(\text{period})=1\text{msec}$ , 10% Duty Cycle.  $V_{ds}=50\text{V}$   $I_{dq}=0.05\text{A}$



Top of the pulse, zoomed in 10X on both scales (Voltage and time)



Title		
SR341 400W 16dB PULSE PEAK 150MHz		
Size	Document Number	Rev
	TB202#1	0
Date:	Monday, February 06, 2006	Sheet 1 of 1



part	value	description
C1	8.2pF	ATC100B
C2, C3	51pF	ATC100B
C4	15pF	ATC100B
C5, C6	12pF	ATC100B
c7,c9, c11, c21	10nF	ATC200B
C8	270pF	ATC100B
C10,C20	1nF	ATC700B
C12,C22	100nF	ATC200B
C13,C14	240pF	ATC100B
C15-C19	10nF	SM TANTALUM
C23-C25	5.6pF	ATC100B
C27	47uF	100V ELECTROLYTIC
L1	18AWG	7 turns, D=0.2"
L2	18AWG	5 turns, D=0.125"
U1	78L08	8V regulator
D1	15V	15V Zener
R1	10k	1206 resistor
R2,R3	15	1206 resistor
R4	1.8k	1206 resistor
R5	10k	6mm PDT
Q1	SR341	Polyfet VDMOS
PCB	PCB	FR4, Er=4 0.064in. thick

T1: 56-50, L=4"  
 T2a, T2b: 34-17, L=3"  
 T3a, T3b: 70-10, L=2.5"  
 T4: 141-50, L=4"

DRN BY Edwin Cunningham	1/18/06	POLYFET RF DEVICES	
MOD BY:			
ELECT Tom Chang	11/20/02	TB202#1, 150MHZ, 400W 16dB Pulse Peak	
MECH Tom Chang	11/20/02		
PROC		SIZE	FSCM NO.
QUAL		SR341 VDS=50V IDQ=50mA	
MOD BY:		SCALE: pcb 1:1	SHEET 1 OF 1