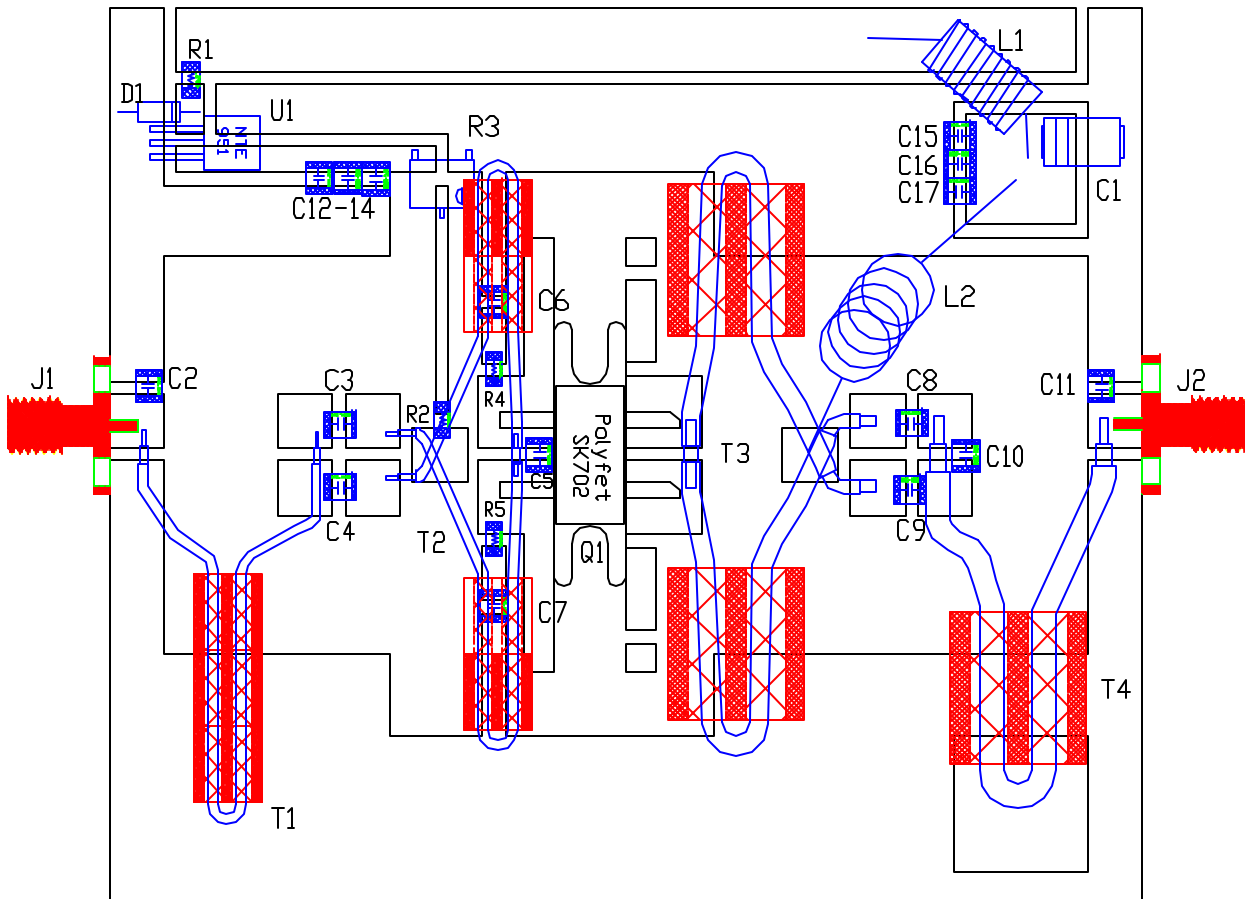


POLYFET RF DEVICES, INC.		
Title		
SK702 20-512MHz 60W		
Size	Document Number	Rev
A	TB199	A
Date:	Tuesday, June 28, 2005	Sheet 1 of 1



SYMBOL	VALUE	DESCRIPTION
C1	10uF	Vishay/Sprague Tantalum
C2	2pF	ATC-100B Chip Cap
C3, C4, C8, C9, C12, C17	1nF	ATC-700B Chip Cap
C5	30pF	ATC-100B Chip Cap
C6, C7, C13, C16	10nF	ATC-200B Chip Cap
C10	2.4pF	ATC-100B Chip Cap
C11	2.7pF	ATC-100B Chip Cap
C14, C15	100nF	ATC-200B Chip Cap
D1	12V	Axial Zener Diode
J1, J2	---	SMA Female
L1	18AWG	9-turn, 850mu
L2	16AWG	5-turn, ID: 0.2"
R1	22k OHM	1206 Chip Resistor
R2	10K OHM	1206 Chip Resistor
R3	10K OHM	6mm, multi-turn PDT
R4, R5	15 OHM	1206 Chip Resistor
T1	3"	UT34-50, 3 125mu
T2	3"	UT34-17, 2 125mu
T3	3"	UT70-10, 1 125mu
T4	3"	UT85-50, 1 125mu
U1	---	NJM78L08A
Q1	SK702	Polyfet Transistor
Vdd	28V	Drain Voltage
Idq	0.8A	Resulent Drain Current

PCB Material : Double-side Teflon ER=2.5, H=0.064in, 2oz

DRN BY: Ed Cunningham	6/27/05	POLYFET RF DEVICES			
CHKD :					
ELECT : J Citrolo	6/25/05	TB199 SK702 20-512MHz 60W			
MECH : Ed Cunningham	6/20/05	SIZE	FSCM NO	Vdd=28V Idq=0.8A	REV A
PROC :		SCALE : 1	: 1	SHEET 1	OF 1
DUAL :					
PGNS :					

