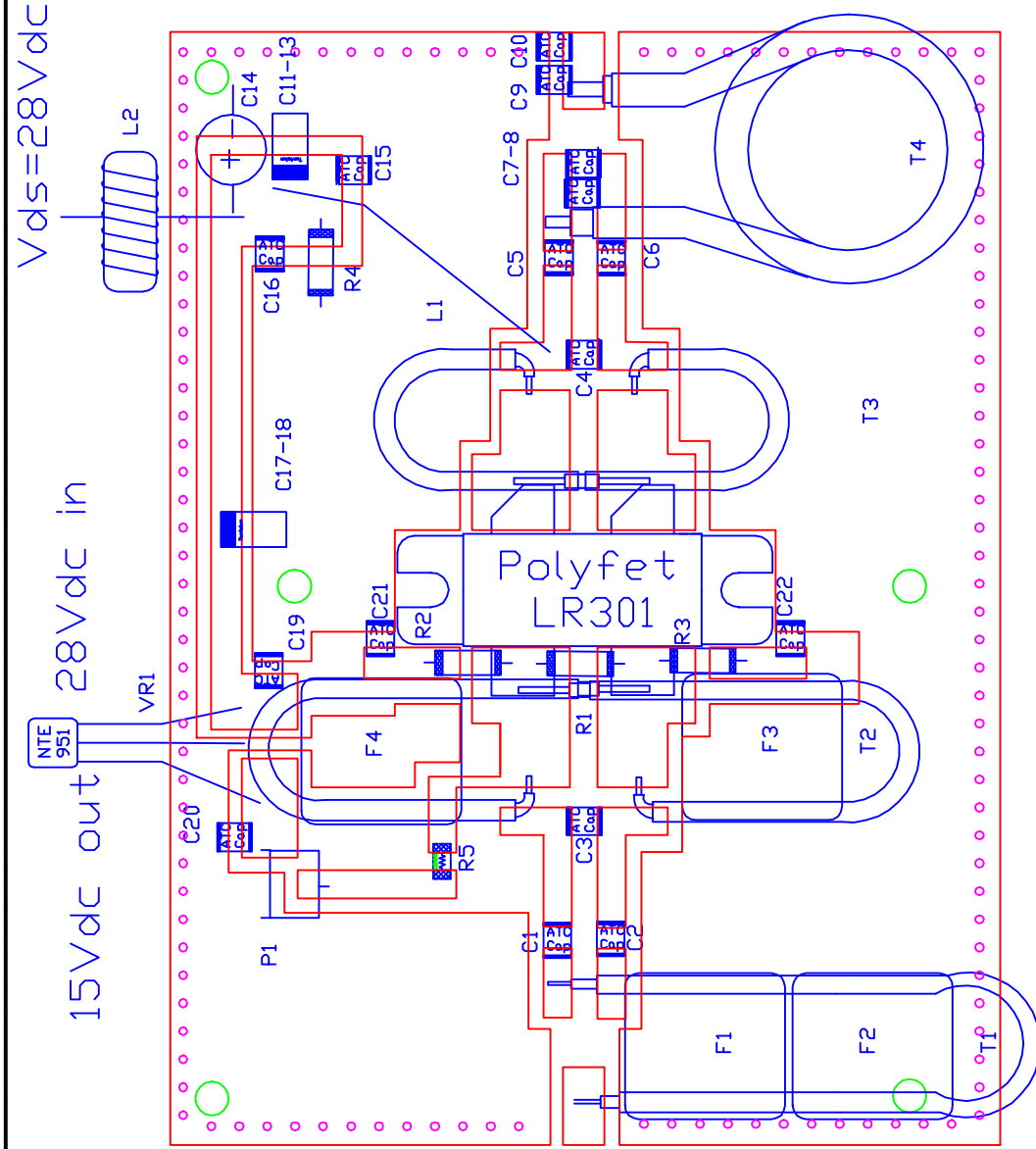


Two Tone Test		
PEP	3rd order	5th order
100	-44	-45
150	-35	-42
200	-29	-39
250	-25	-38
300	-22	-35

Three Tone Test

RESULT:- IMD = -53dbc below 0dBm

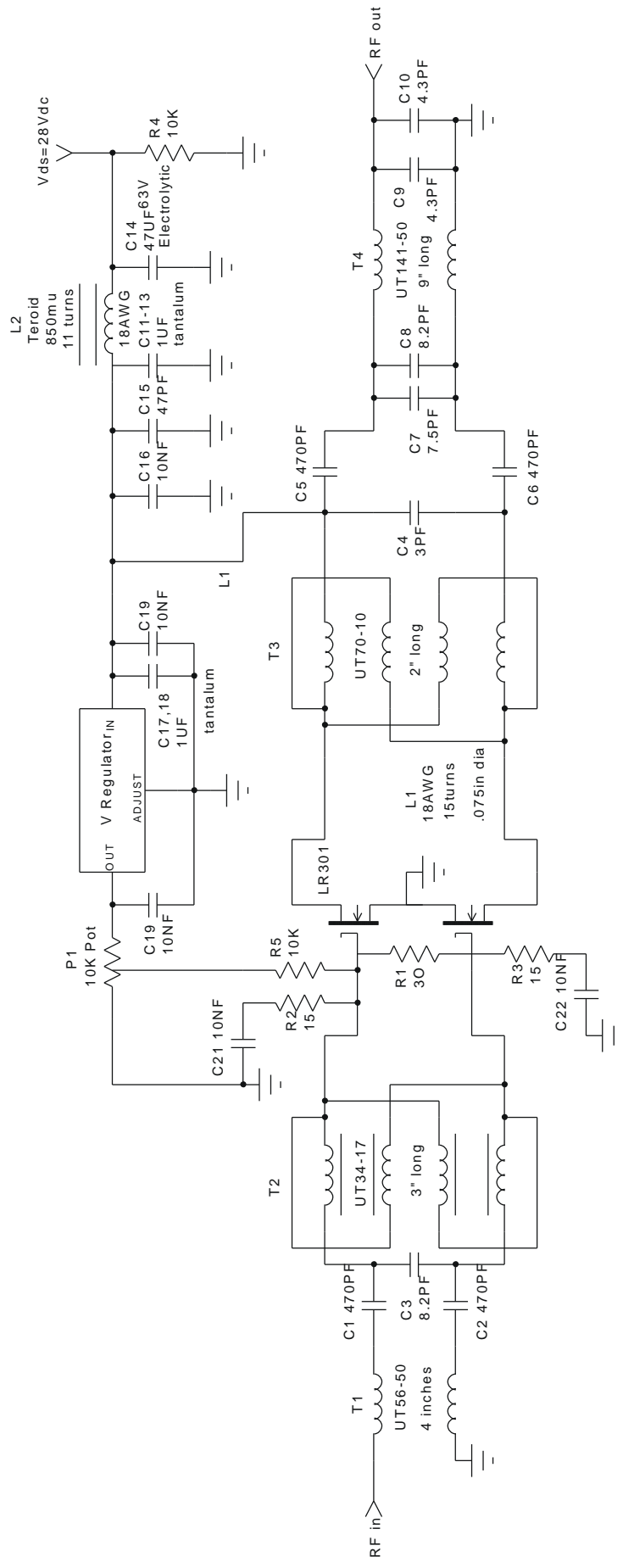
Settings:-
 Video = -8dB below 200W(53dBm) Peak @ 190Mhz
 Sound = -10dBm 194.433 Mhz
 Sub=-16dBm @ 196.5Mhz



SYMBOL	VALUE	DESCRIPTION
C01,02	1nF	ACT700B Chip Cap.
C03	8.2pF	ACT100B Chip Cap.
C04	3pF	ACT100B Chip Cap.
C05,06	470pF	ACT700B Chip Cap.
C07-08	7.2,82pF	ACT100B Chip Cap.
C09,10	43pF	ACT100B Chip Cap.
C11-13,17,18	1uF	50V tantalum
C14	47uF	63V electrolytic
C15	47pF	ATC100B Chip cap
C16,19,20-22	10nF	ATC200B Chip cap
T1	4 in.	UT156-50 semi-rigid coax
T2	3.0in	UT134-17 semi-rigid coax
T3	2.0in	UT170-30
T4	9.0in	UT141-50semi-rigid coax
F1-F4	125u	BN-61-202 Amidon
L01	18AWG	Straight wire
L02	18AWG	11 turns, 850mu teroid
R01	30 ohm	1W axial
R02,R03	15ohm	1/4W axial
R04	10K	1/4W axial
R05	10K	0805 Chip cap
P01	10k	6x6mm Potentiometer
V01	15V	Regulator
VDD	28Vdc	DC Power Supply
Bias	1.8A	Bias for LR301

Double sided 1oz Cu .032in
Er=2.55 Teflon material

DRN BY: J. Citrolo	8/11/03	POLYFET RF DEVICES	
CHKD :			
ELECT :			
MECH :			
PRDC :		TB186 160-230Mhz 300W	
QUAL :		SIZE	FSCM NDI
PGMS :		LR301	28Vdc, 1.8A
		SCALE :	1 : 1
		SHEET	1 OF 1



DRN BY	J.Citrolo	9/5/03
CHKD		
ELECT	J.Citrolo	9/5/03
MECH	J.Citrolo	9/5/03
PRDC		
QUAL		
PGMS		

Polyfet RF Devices

TB186, 250W, 160-230MHZ

SIZE	FSCM NO.	LR301 Vds=28Vdc Idq=1.8A	REV
------	----------	--------------------------	-----

