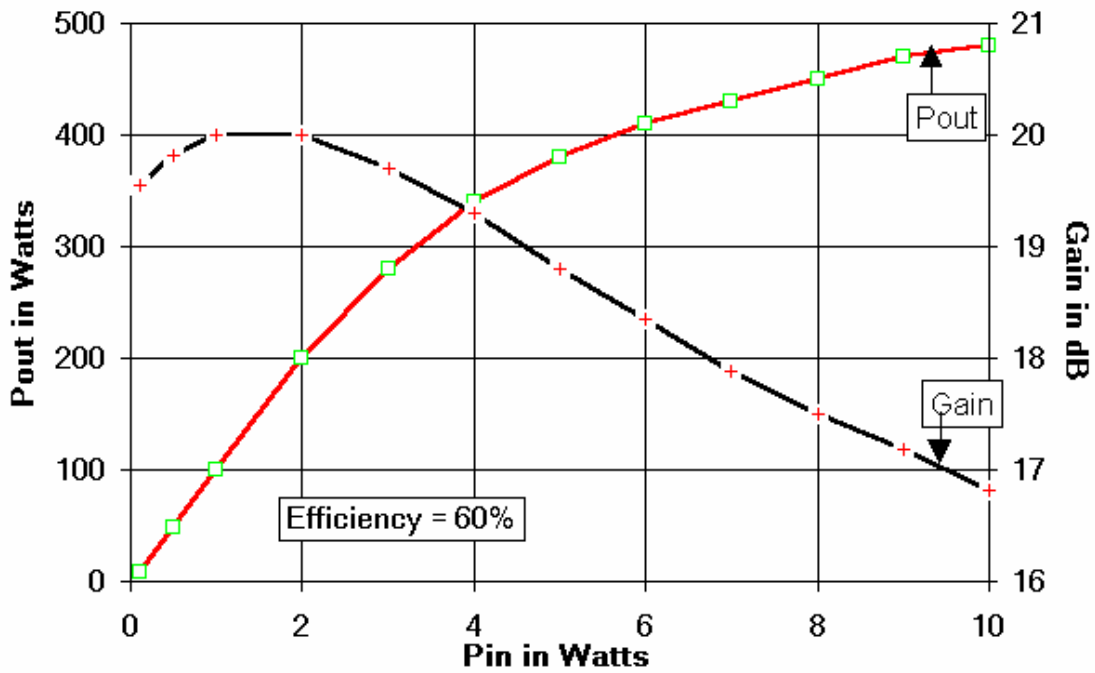
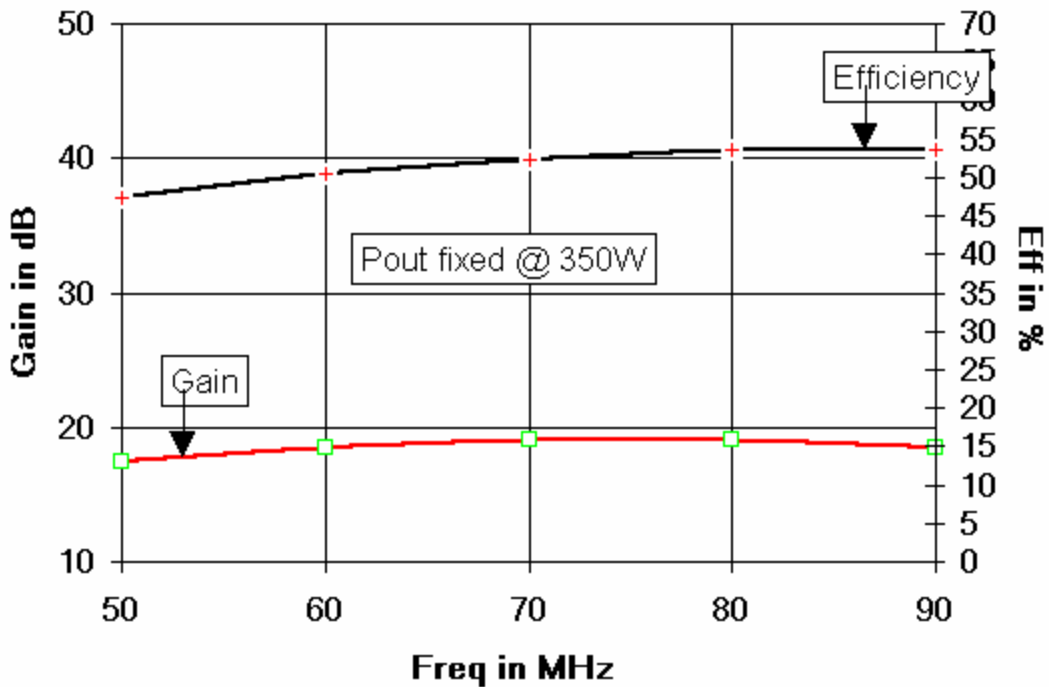
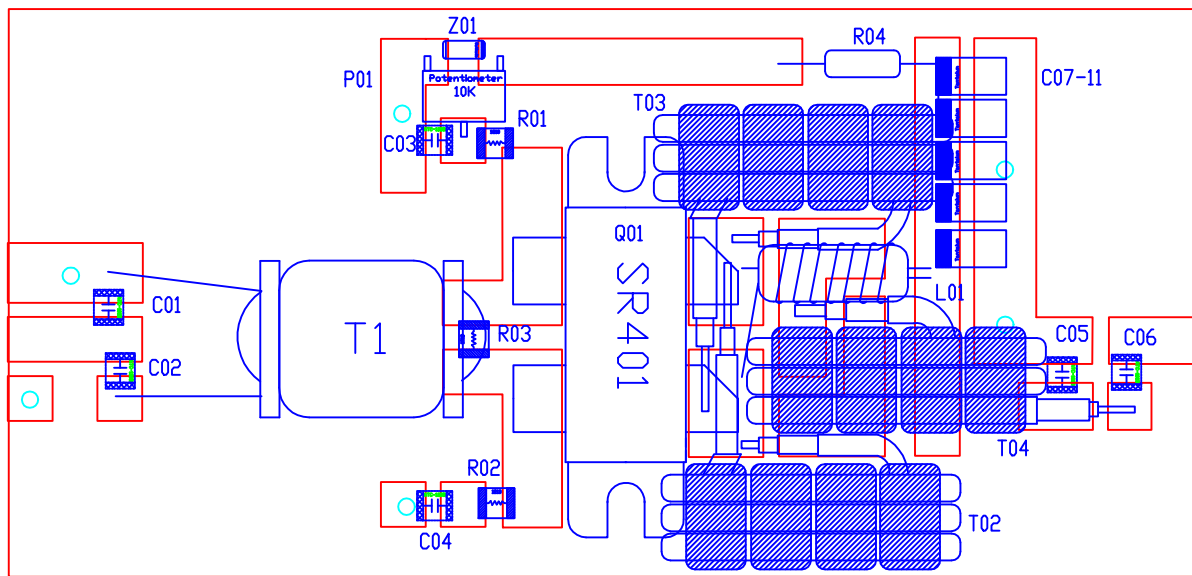


**TB-180 2 SR401 Pout/Gain vs Pin F=70MHZ;
VDS=32Vdc; IDQ=1.6A**



**TB-180 2 SR401 Gain/Eff vs Freq
VDS=32Vdc, IDQ=1.6A**





SYMBOL	VALUE	DESCRIPTION
C01	13pf	ATC 100B CHIP CAP.
C02	560pf	ATC 700B Chip Cap
C03-4	10nf	ATC 200B CHIP CAP.
C05-6	1.2nf	ATC 700B CHIP CAP.
C07-11	1uf	50V tantalum
R01-3	15ohm	1210 chip resistor
R04	1.5K	1/4W axial resistor
P01	10k	multi-turn POT
Z01	7.5V	Zener
L01	22AWG	Twisted quad, 8turns
T01	40mu	22AWG, 3turns
T02-3	6mu	21 ohm, 9" long
T04	6mu	50 ohm, 9" long
Q1	SR401	Polyfet Transistor
VDD	32V	DC Power Supply
Bias	800ma	Bias Current

A pair of these pallets are used with 2 Anaren combiner/splitters part# 1A0230-3.

PCB Material : Double Side FR4
 ER=3.55, H=0.064", T=0.001"

DRN BY: J.Citrolo	3/14/03	POLYFET RF DEVICES	
CHKD :		TB180 50-88MHz, 350W P1dB	
ELECT : J Citrolo		SIZE	FSCM NO
MECH : J Citrolo			SR401 Vds=32Vdc, Idq=1.6A
PRDC :			REV 0
QUAL :		SCALE : 1 : 1	SHEET 1 OF 1
PGMS :			

