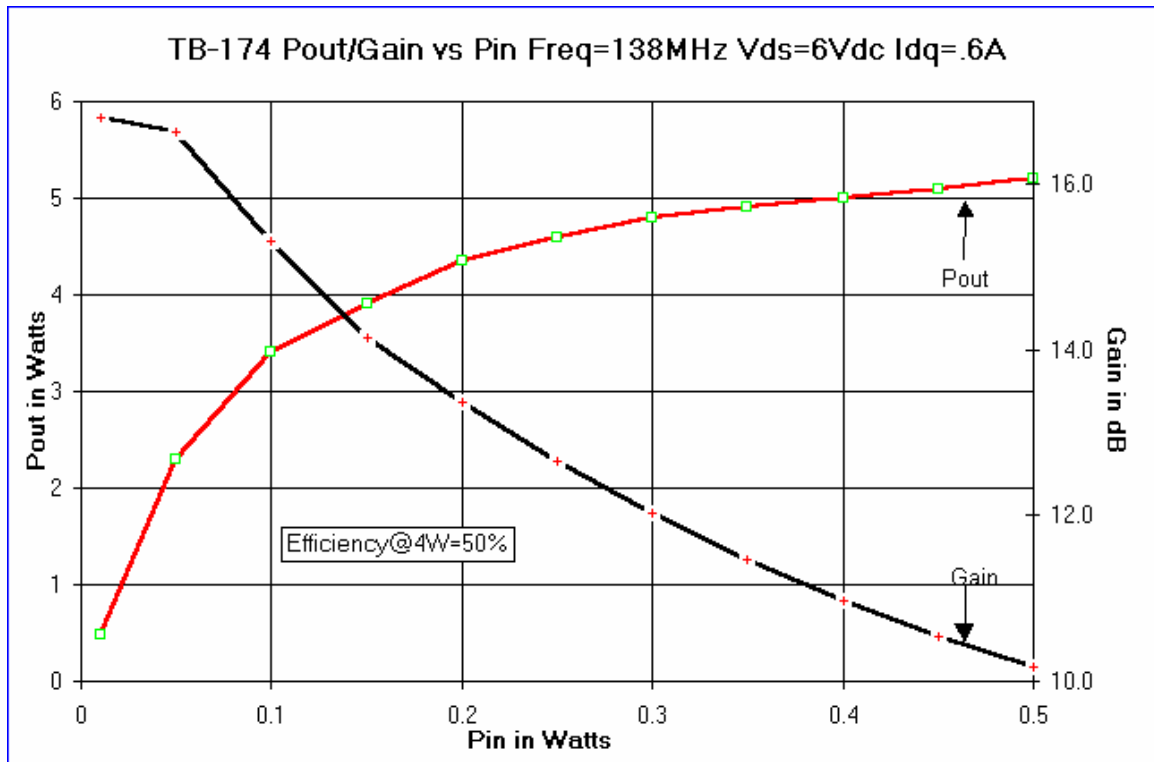
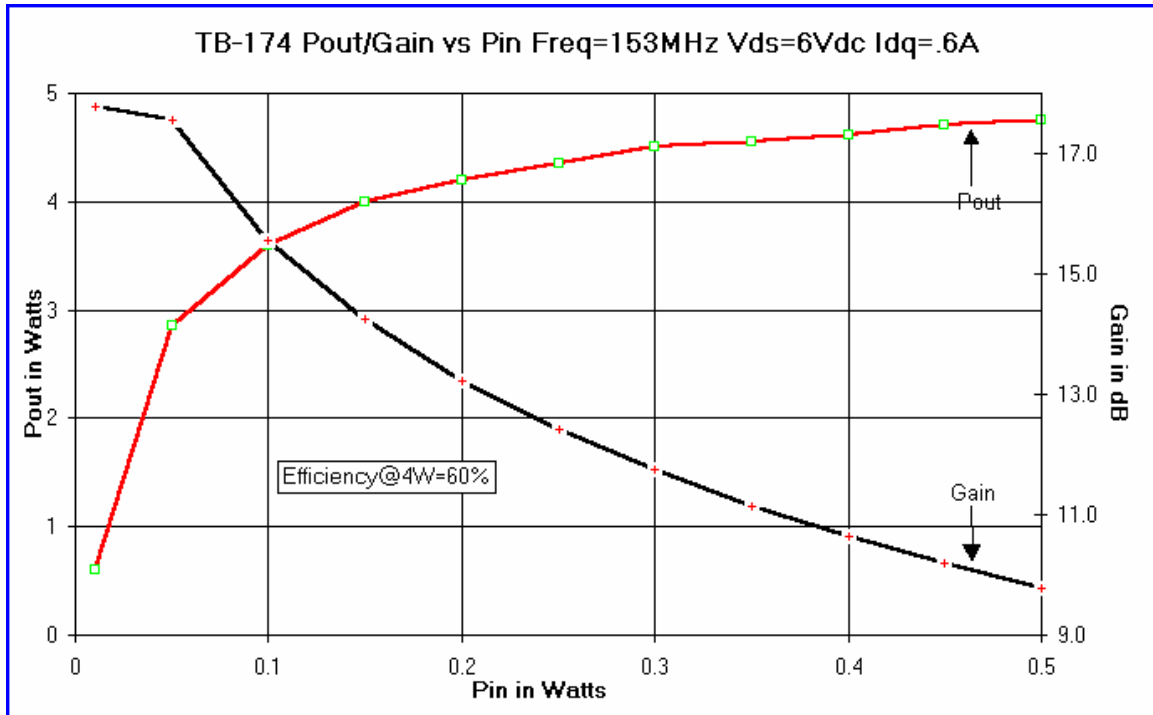
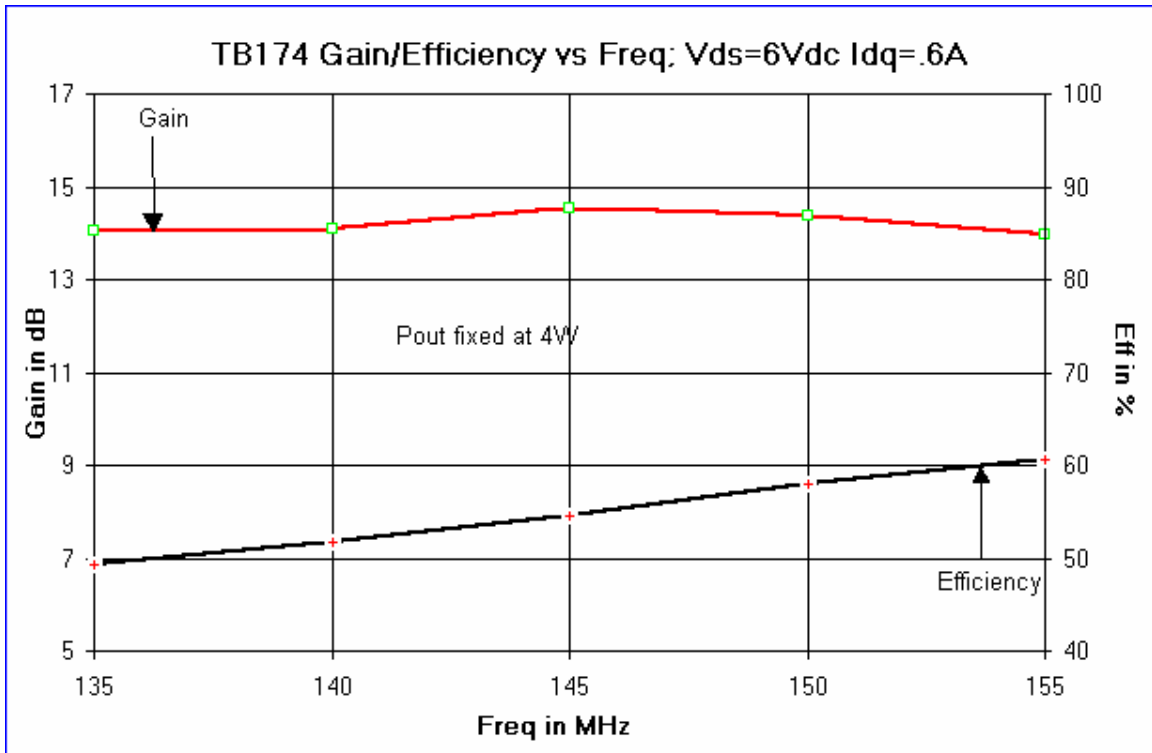
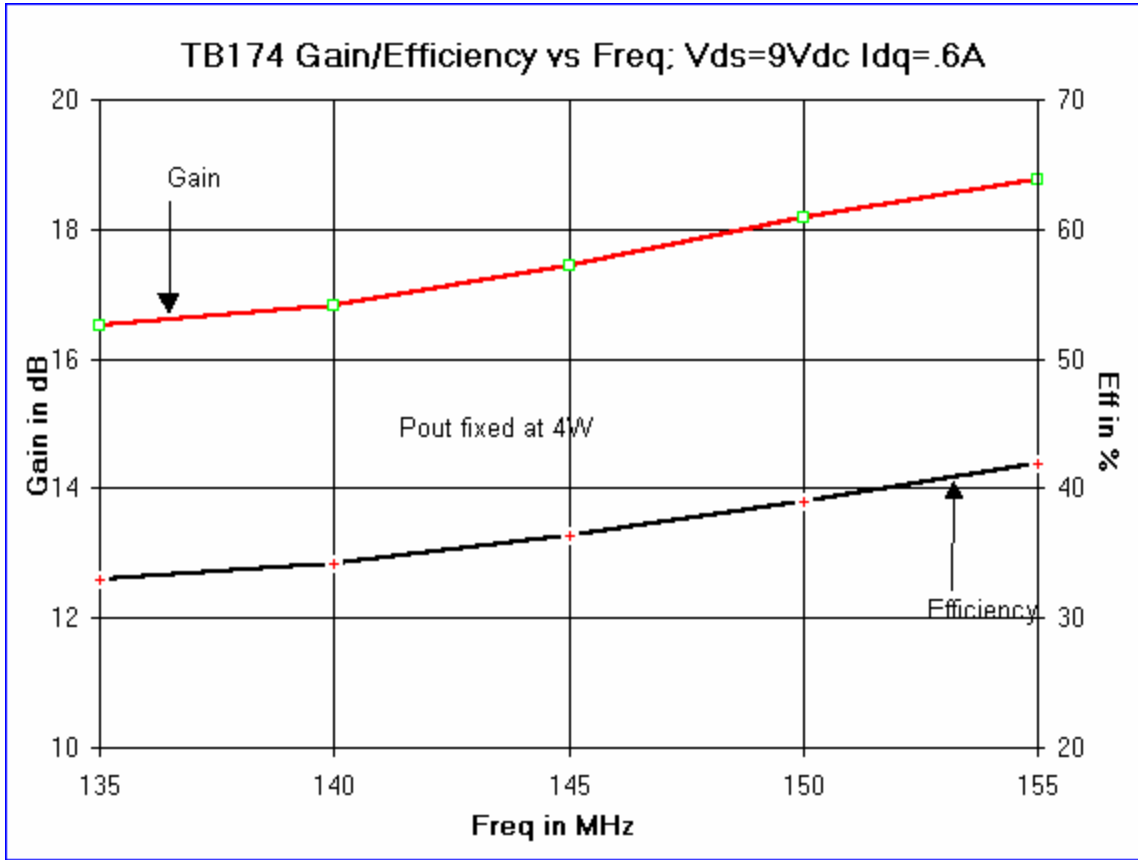
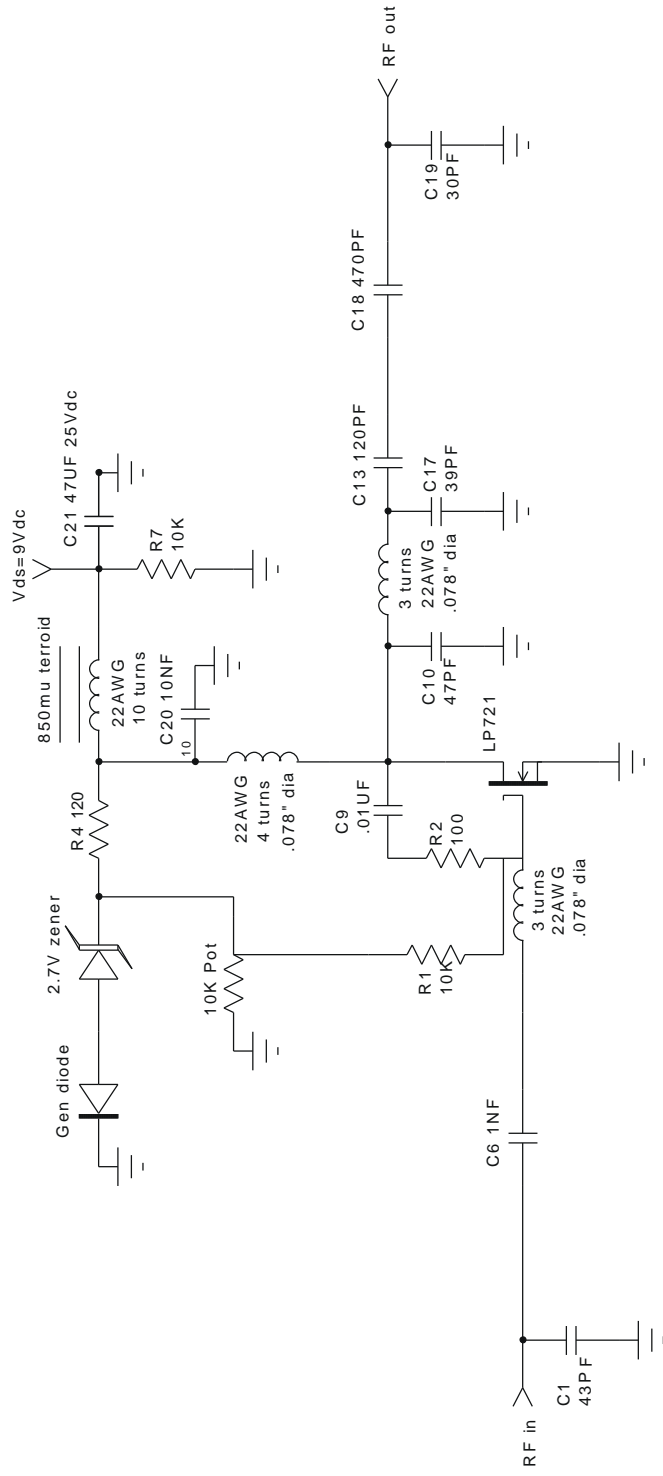


## 6 Volt VDD







DRN BY	J.Citrolo	11/7/02
CHKD		
ELECT		
MECH		
PROC		
QUAL		
PGMS		

Polyfet RF Devices		
TB-174 138-153Mhz 4W		
SIZE	FSCM NO.	REV
		A
Lp721 Vds=9Vdc Idq=600ma		

