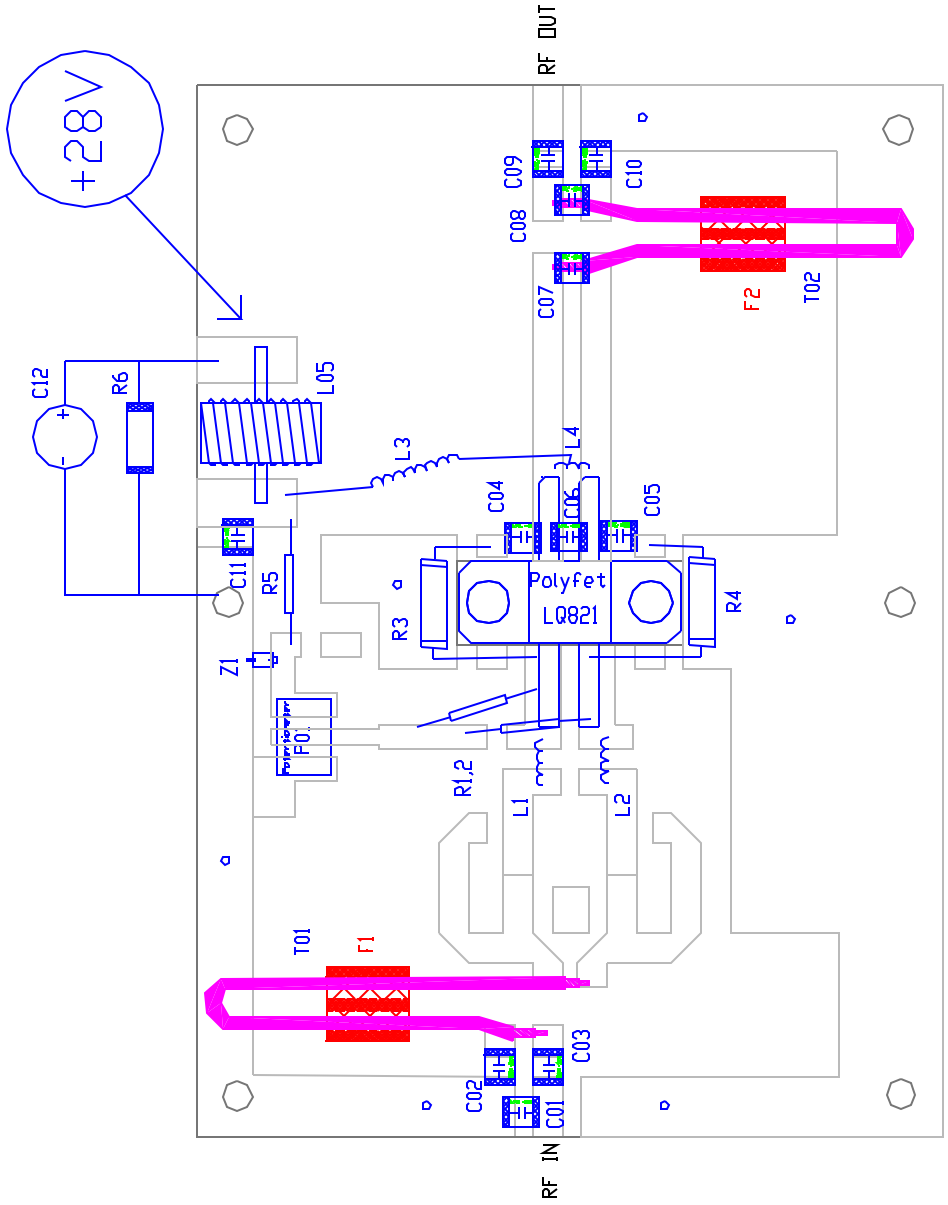


DRN BY	J. Cifrolo	10/24/02	Polyfet RF Devices
CHKD			
ELECT			
MECH			
PRDC			
QUAL			
PGMS			
TB 173 135-175Mhz 15W			
SIZE	FSCM NO.	Lq821 Vds=12.5Vdc Idq=.4A	REV
			A

SYMBOL	VALUE	DESCRIPTION
C01	15pf	ATC100B CHIP CAP.
C02,C10	1nf	ATC700B CHIP CAP.
C3,C9	470pf	ATC700B CHIP CAP.
C4,C5,C11	10nF	ATC200B CHIP CAP.
C06	20pf	ATC100B CHIP CAP.
C07	24pf	ATC100B CHIP CAP.
C08	30pf	ATC100B CHIP CAP.
C12	47uf	25V electrolytic
R1,R2,R6	10K	1/4W axial resistor
R3,4	120	1W axial resistor
R5	1k	1/4W axial resistor
P01	10k	multi-turn POT
L1,L2	22AWG 4 turns .075in. dia	
L3	22AWG 9 turns .075in. dia	
L4	22AWG 3 turns .075in. dia	
L5	22AWG 10 turns, 850mu ferrite	
T01,T02	2500mil	UT34-50ohm Coaxial balun
F1,F2	125mu	Amidon BN-61-202
Q1	L0821	Polyfet Transistor



DRN BY: J.Citrolo	10/24/02
CHKD :	
ELECT : J Citrolo	
MECH : J Citrolo	
PRIC :	
QUAL :	
PQMS :	
POLYFET RF DEVICES	
135-175Mhz, 13W P1dB	
SIZE	FSCOM NO
TB173	Layout
REV	0
SCALE : 1 : 1	SHEET 1 OF 1

PCB Material : Double Side FR4
ER=3.55, H=0.032", T=0.001"