

- L1, L2: Ferroxcube WK200
- L3, L4: 6 ferrite beads each
- 19/4B ferrite choke
- Ferroxcube 56 590 65/38
- T1: Ferrite core Stackpole 57-1845-24B
- T2: 7 turns of twisted pair AWG #20, Ferrite core Stackpole 57-9322
- T3: 14 turns of Microdot 260-4118-00 25Ω miniature coaxial cable wound on each toroid, Stackpole 57-9074

DRAWN BY: E Cunninghamham	9/27/2002
ELEC: E Cunninghamham	9/27/2002
MECH: E Cunninghamham	9/27/2002

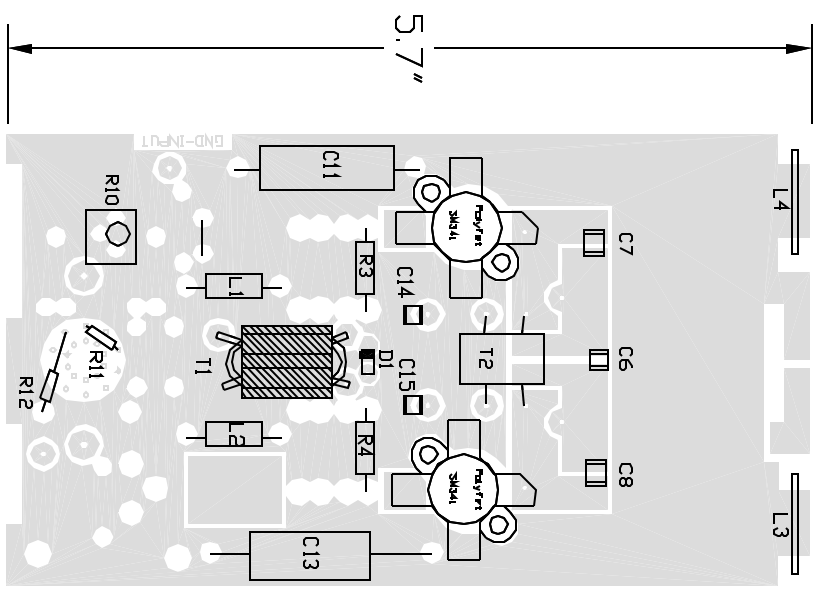
Polyfet RF Devices

TB172 2-30MHz 300W SM341 push-pull

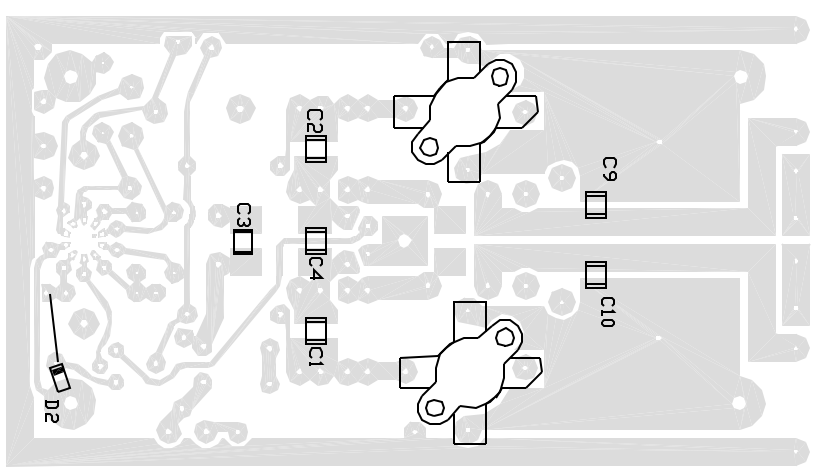
Vds = 50V Idq = 1.2A

REV
A

TOP VIEW



BOTTOM VIEW



SYMBOL	VALUE	DESCRIPTION
C1,C2	5.6nF	CHIP CAP.
C3	56pF	CHIP CAP.
C4	470pF	CHIP CAP.
C6	75pF	CHIP CAP.
C7,C8	0.1uF	CHIP CAP.
C9,C10	0.33uF	CHIP CAP.
C11	10uF	100V Electrolytic
C13	1000uF	10V Electrolytic
C14,C15	10000pF	ATC100B chip cap
R3,R4	15	1/4W axial
R10	1K	potentiometer
R11	100	1/4W axial
R12	8.2K	1/4W axial
L1,L2	FERRDXCUBE VK200	19/4B
L3,L4	ferrite choke	
T1	56 590 65/3B	ferrite core STACKPOLE
T2	57-1845-24B	
T3	7 turns of twisted pair AWG#20, ferrite core STACKPOLE 57-9322	

PCB Material : Double Side FR4
 ER=3.55, H=0.064", 2 ounce copper

DESIGNED BY	Cunningham	DATE	10/8/02	Polyfet RF Devices
CHECKED BY	Cunningham	DATE	9/12/02	
ELECT	Cunningham	DATE	9/12/02	
MECH	Cunningham	DATE	9/18/02	
PROJECT	SM341 2-30MHz 300W 50V			SCALE
DRAWN	TB172 LAYOUT			REV
POKES				0

Top View of TB172
Dual SM341
50V 300 Watt
2-30 Mhz

