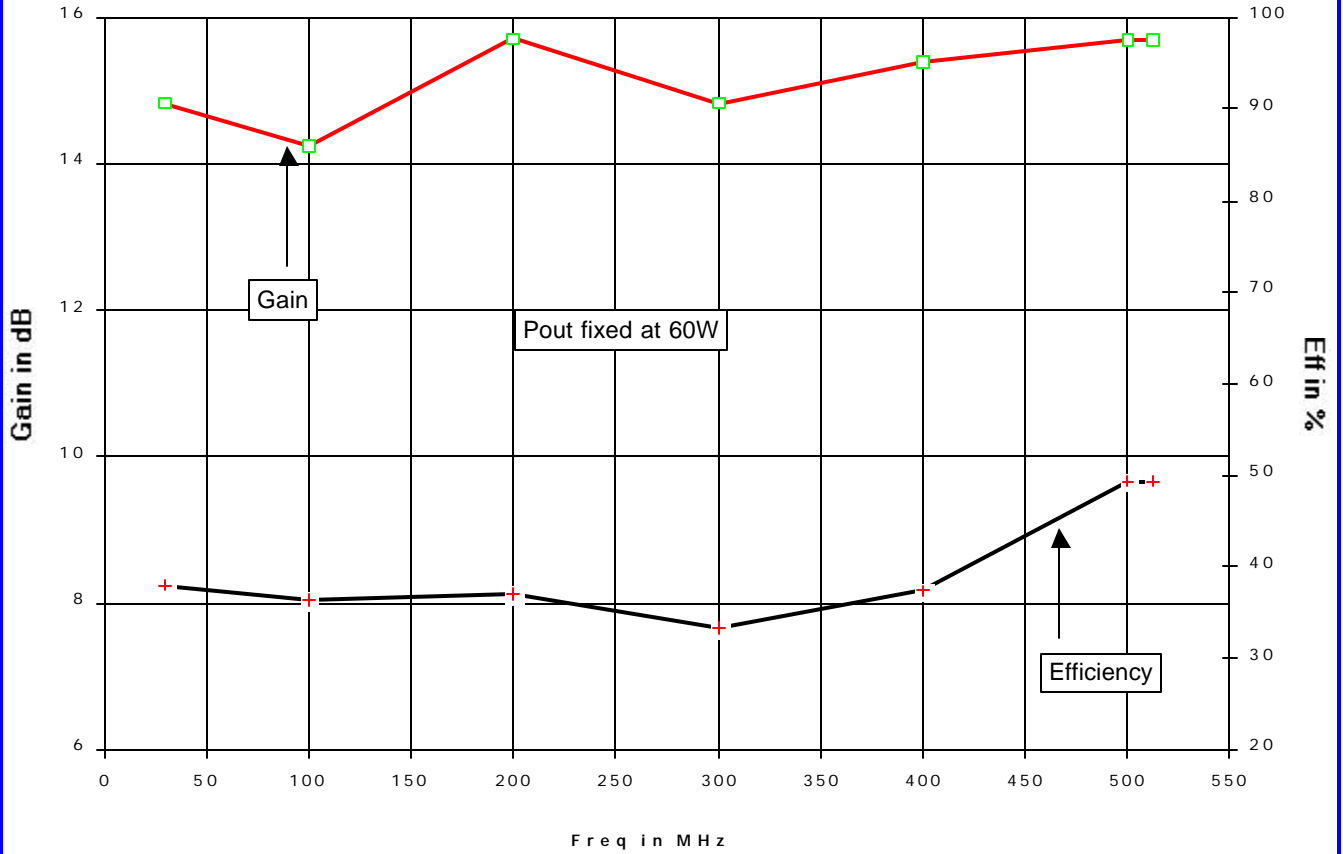
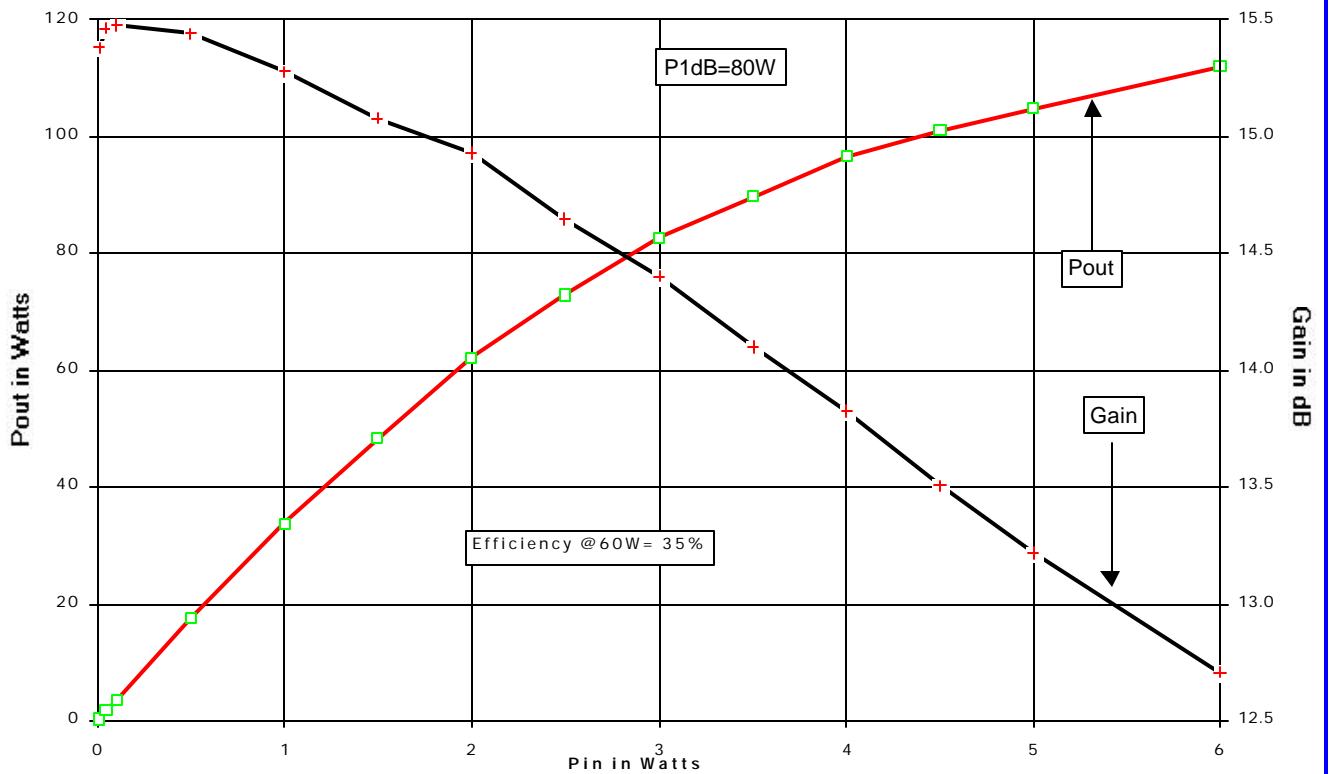


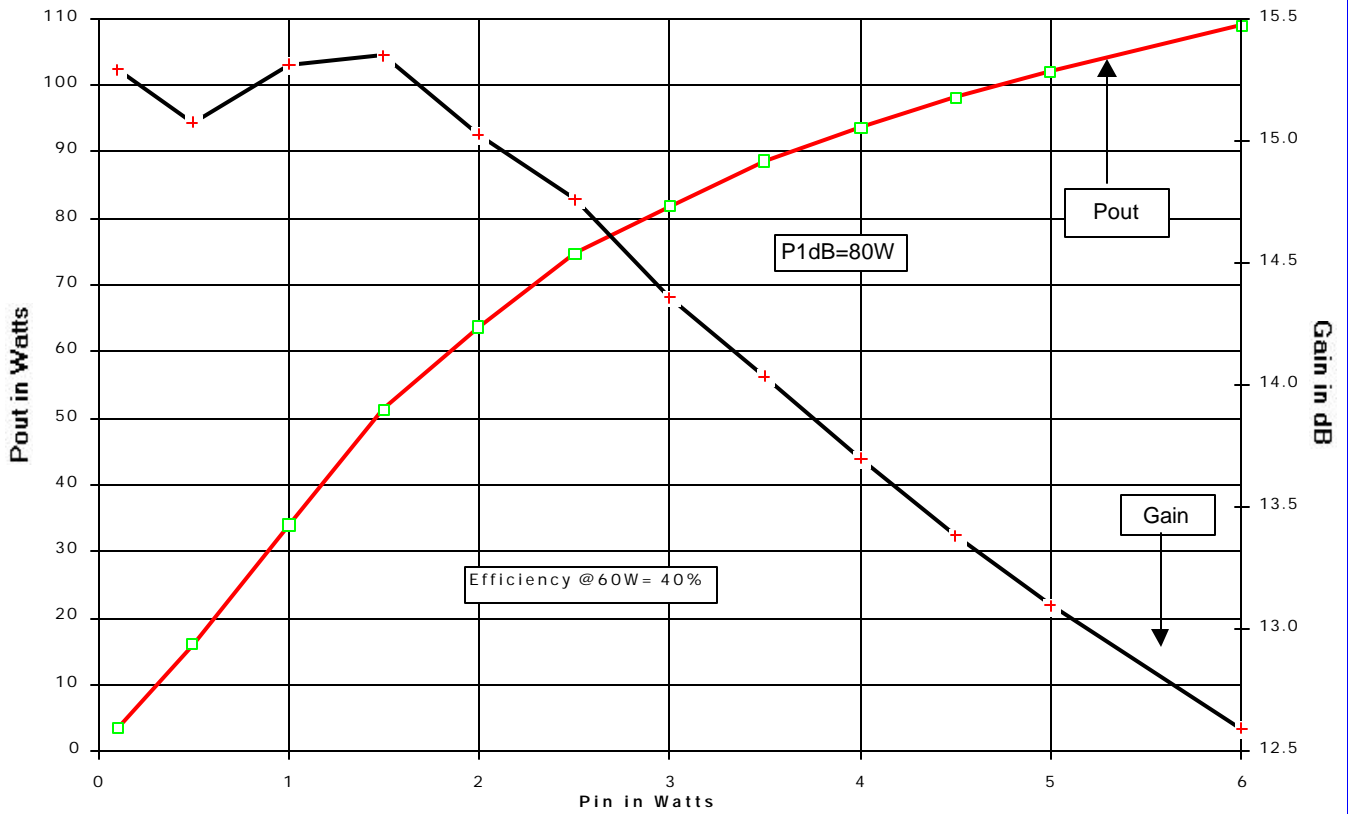
TB-162 LK401 Freq vs Gain/Efficiency; Vds=28Vdc Idq=.8A



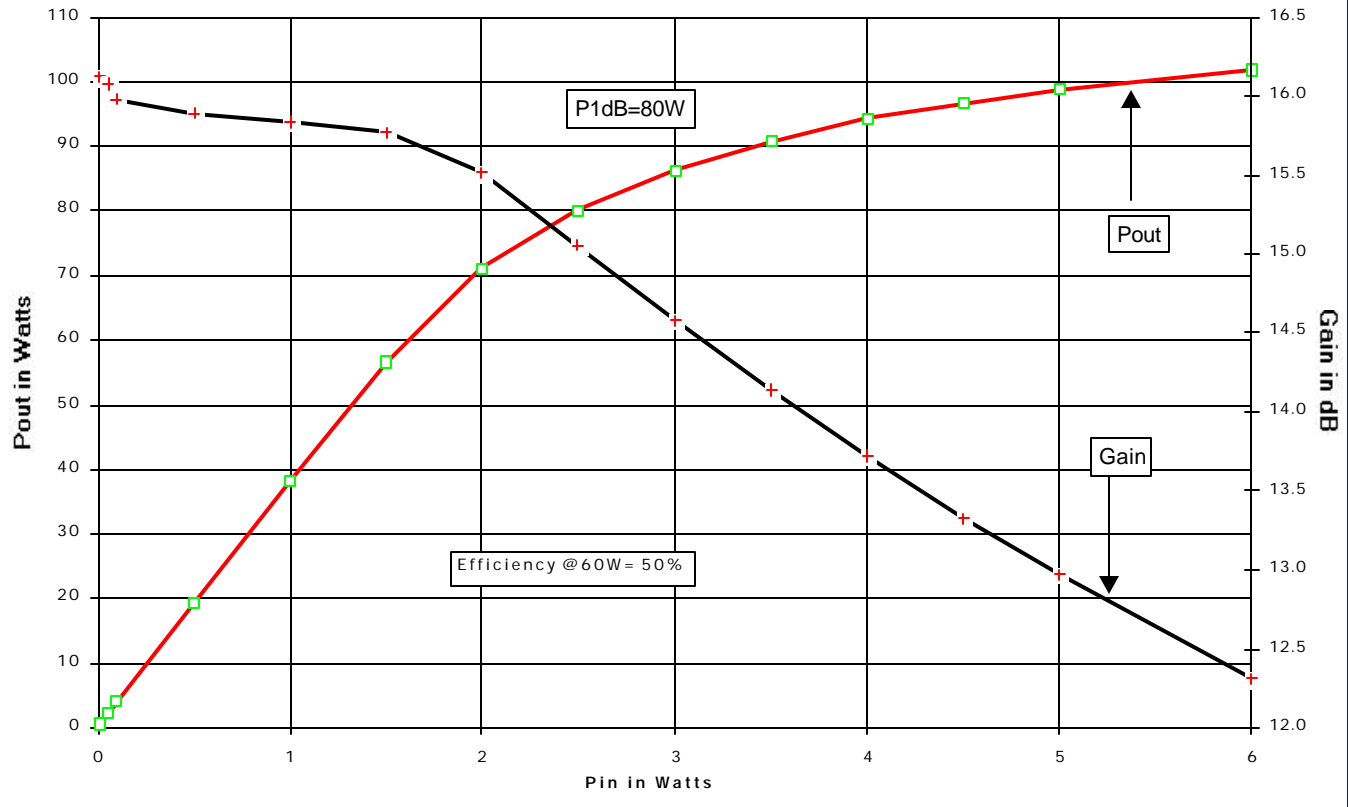
TB-162 LK401 Pin vs Pout Freq=250MHz Vds=28Vdc Idq=800ma

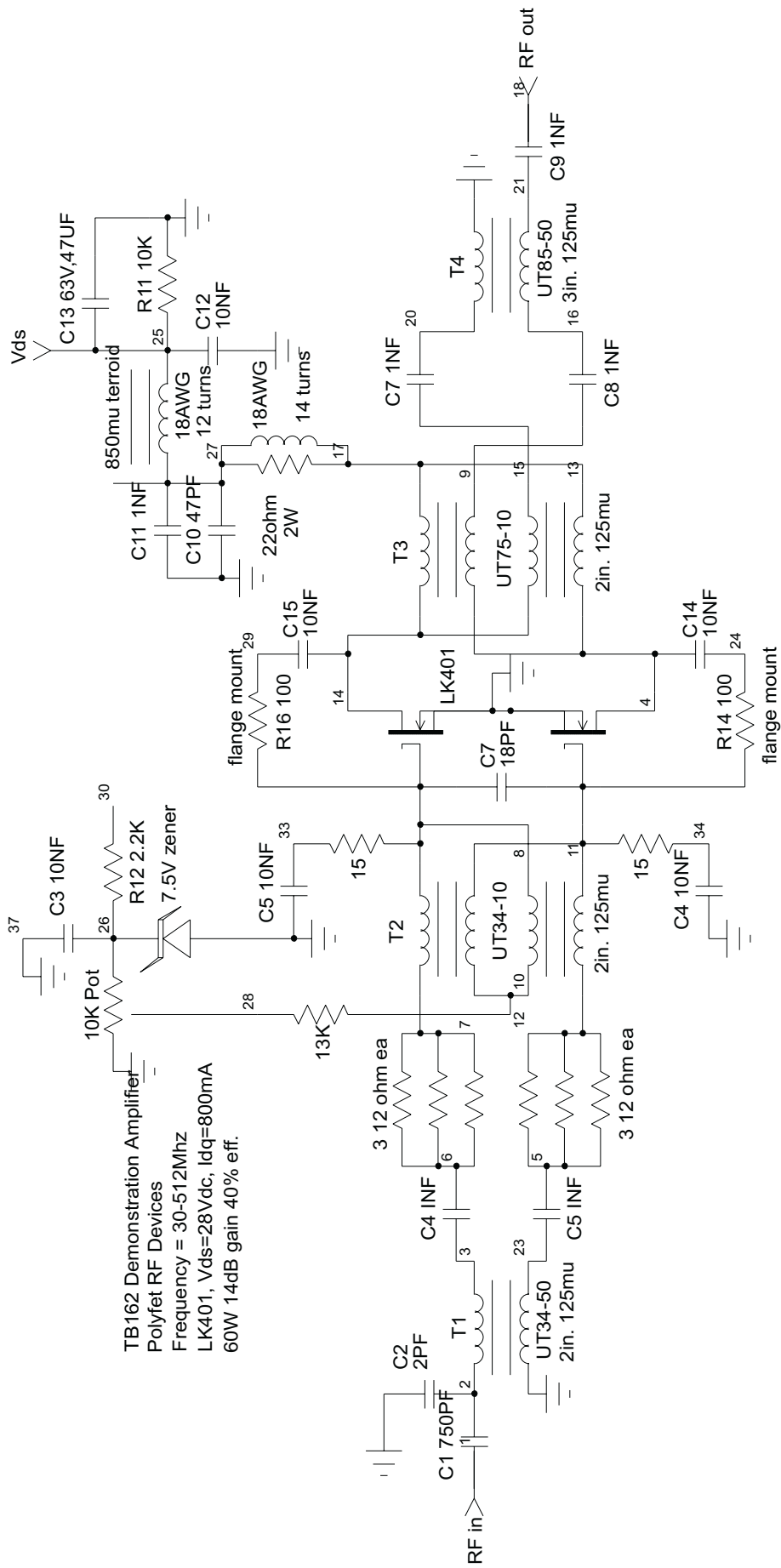


TB-162 LK401 Pin vs Pout Freq=30MHz Vds=28Vdc Idq=800ma



TB-162 LK401 Pin vs Pout Freq=512MHz Vds=28Vdc Idq=800ma





TB162 Demonstration Amplifier
 Polyfet RF Devices
 Frequency = 30-512Mhz
 LK401, Vds=28Vdc, Idq=800mA
 60W 14dB gain 40% eff.

DRN BY	J.Citrololo	3/15/02	Polyfet RF Devices	
CHKD			TB-162 60/80W; 30-512Mhz	
ELECT			SIZE	FSCM NO.
MECH			A	LK402
PREC				
Q/JAL				
PGMS				

