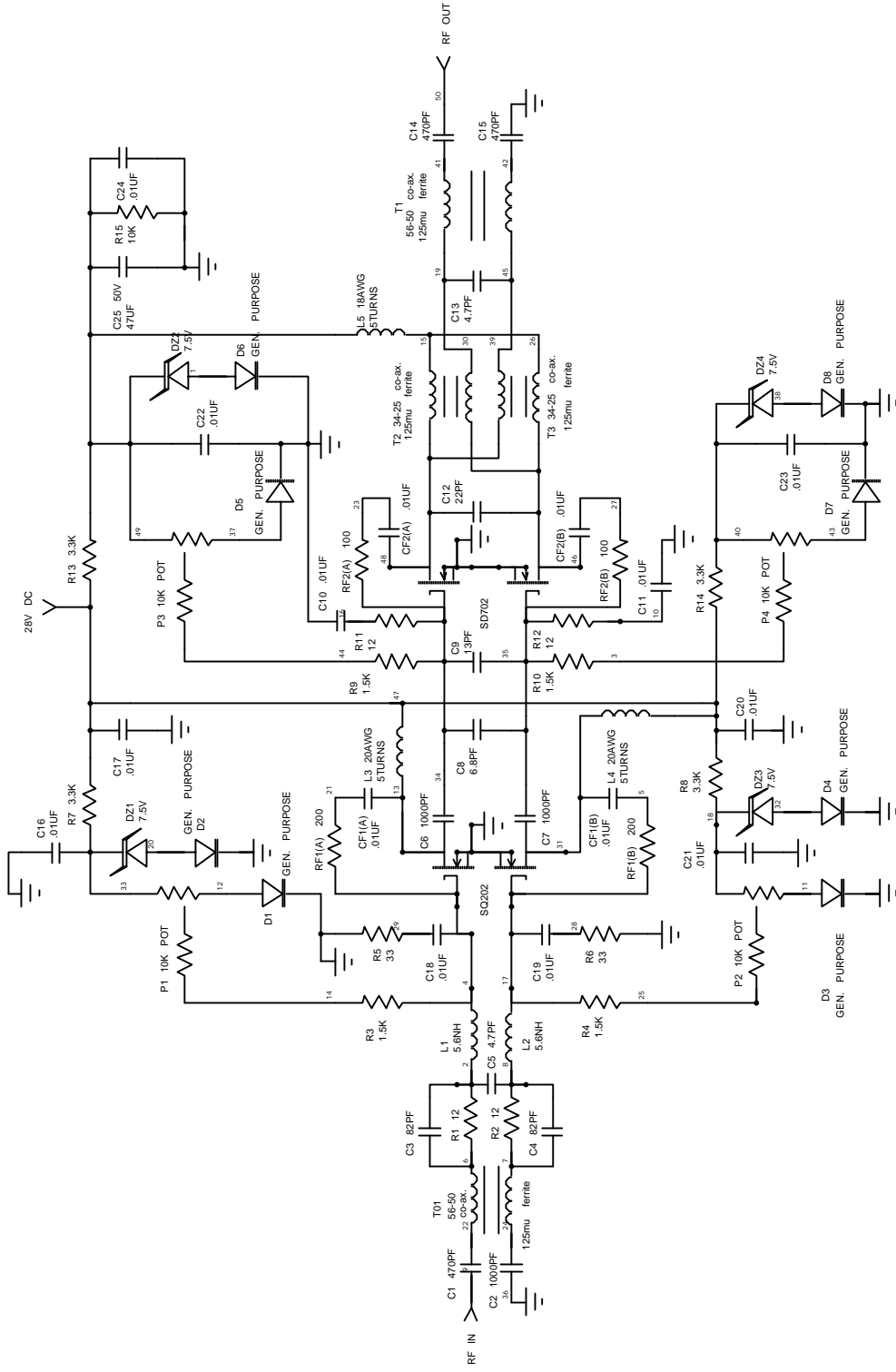


PCB Material : Double Side Teflon  
 ER=2.5, H=31, T=1.4

SYMBOL	VALUE	DESCRIPTION
C01/C14	4.70uf	ATC1003 CHIP CAP.
C02/C06/C07/C13	1000uf	ATC1003 CHIP CAP.
C03/C04	B2pf	ATC1003 CHIP CAP.
C05/C13	4.7pf	ATC1003 CHIP CAP.
C08	6.8pf	ATC1003 CHIP CAP.
C09	13pf	ATC1003 CHIP CAP.
C04/C06/C07/C08/C09	01uf	ATC1003 CHIP CAP.
C08/C09/C20/C22/C24	01uf	ATC1003 CHIP CAP.
C12	22pf	ATC1003 CHIP CAP.
C25	47uf	50V Electrolytic Cap.
L01, L02	56nh	1210 Chip Ind.
L03, L04	---	120 AWG 5 Turn
L05	---	HFB AWG 5 Turn
V01	---	HISANG Wire Bridge
T01/T04	2500mil	300w coaxial Transformer
T02/T03	2500mil	150w coaxial Transformer
R01/R02/R11/R12	120ohm	1206 Chip Res.
R03/R04/R09/R10	150ohm	1206 Chip Res.
R05/R06	330ohm	1206 Chip Res.
R07/R08/R13/R14	33kohm	1206 Chip Res.
R15	10k0ohm	1206 Chip Res.
P01/P02/P03/P04	10k	6x6mm Potentiometer
Z01/Z02/Z03/Z04	5.5V	50mA Chip Zener
J01--J08	5.5V	30mA Chip Zener
VDD	28V	DC Power Supply
Bias1	400mA	Bias Current
Bias2	800mA	Bias Current
Cf1/Cf2	60uf	ATC1003 Chip Cap.
Rf1	200ohm	1/2w Metal Film Res.
Rf2	100ohm	1/2w Metal Film Res.

DRN BY: ZHOU JUN	10/18/2K
CHKD :	
ELECT :	
MECH :	
PRUC :	
QA/L :	
PGMS :	

POLYFET RF DEVICES	
30--500MHZ Amplifier	
SIZE	TFSCH N0
PCB LAYOUT	REV 4
SCALE: 1:1	SHEET 1 OF 1



DRN :	J Citrolo	10/19/00
CHK :	E. Greenbaum	10/24/00
ELECT :		
MECH :	K. S. Tay	10/19/00
PROC :		
QUAL :		
PGMS :		

<b>Polyfet RF Devices</b>		
<b>30 - 512MHz, 40W, 28V</b>		
Size	FSCM NO	Rev
Scale	TB 153	
	Sheet 1 of 1	