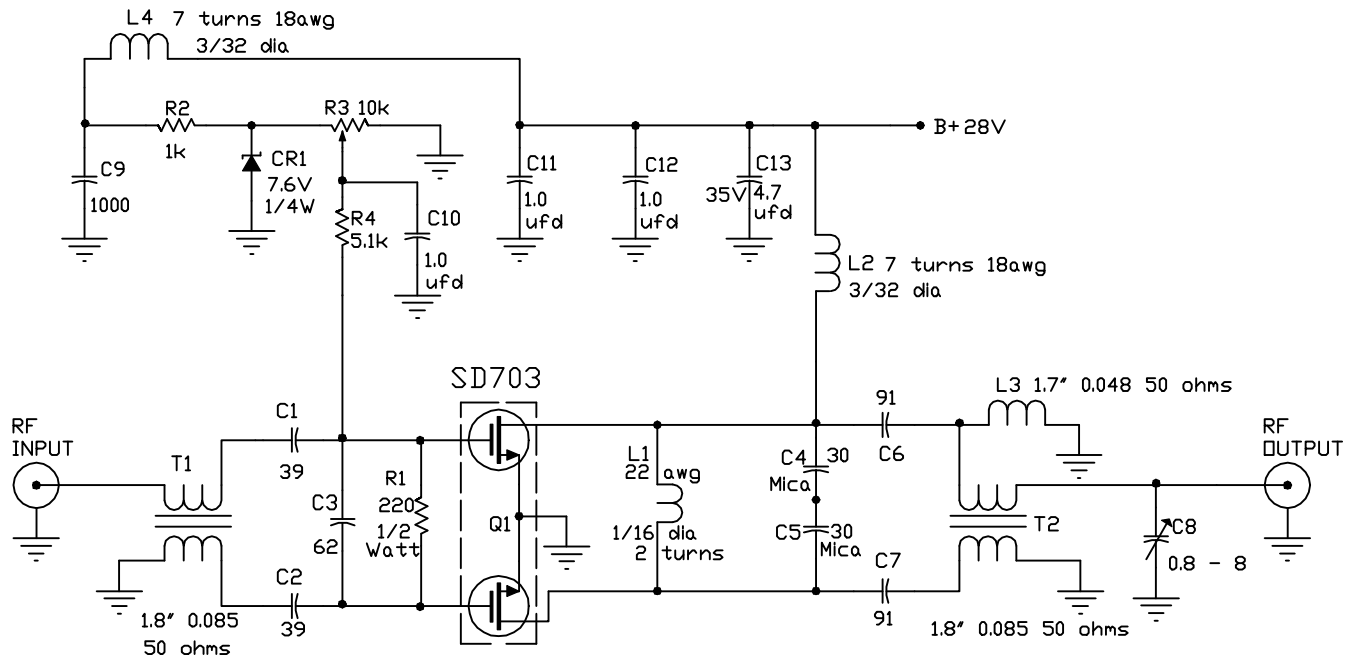


REVISIONS

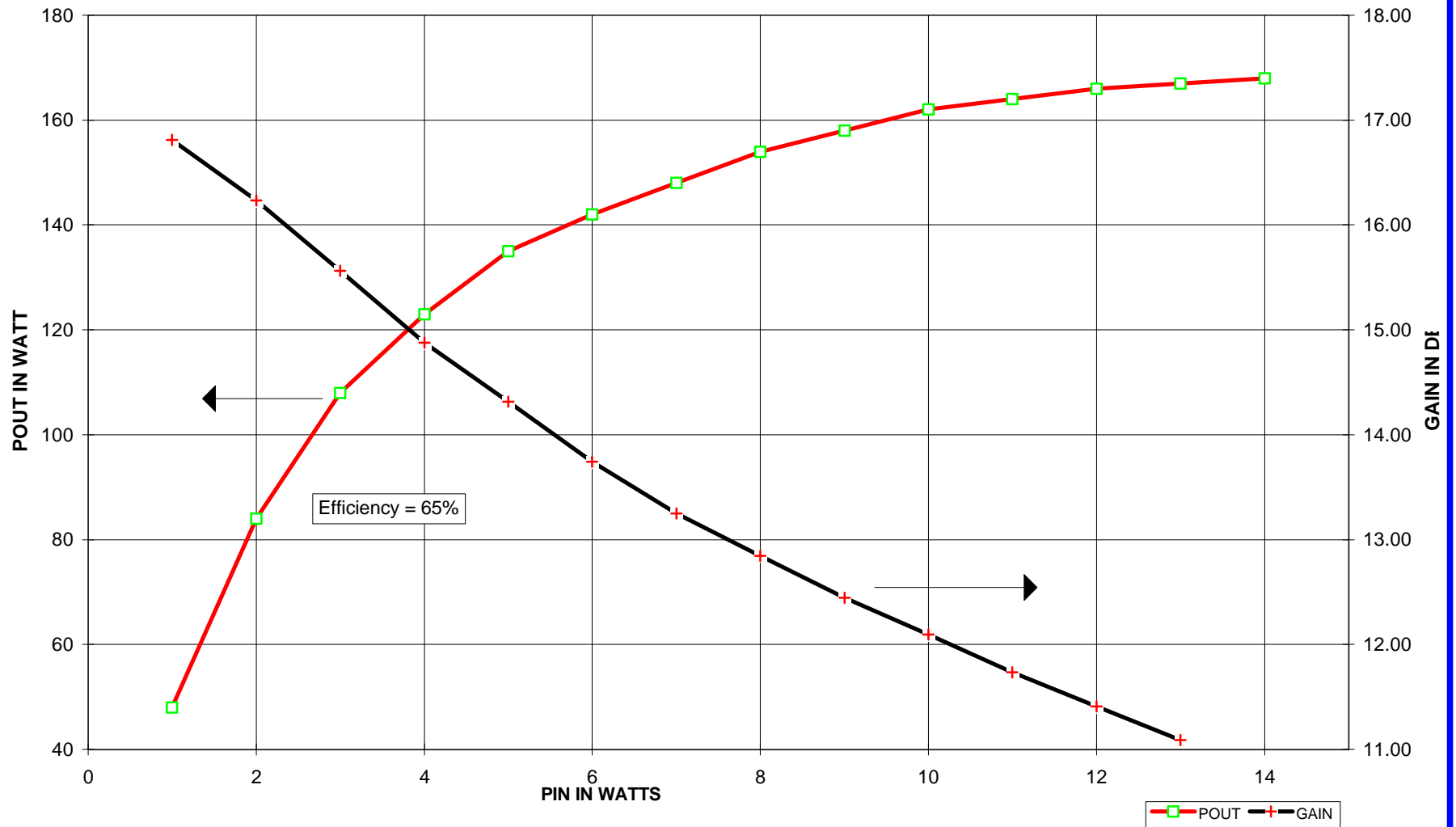
REV	DESCRIPTION	DATE	APPROVED

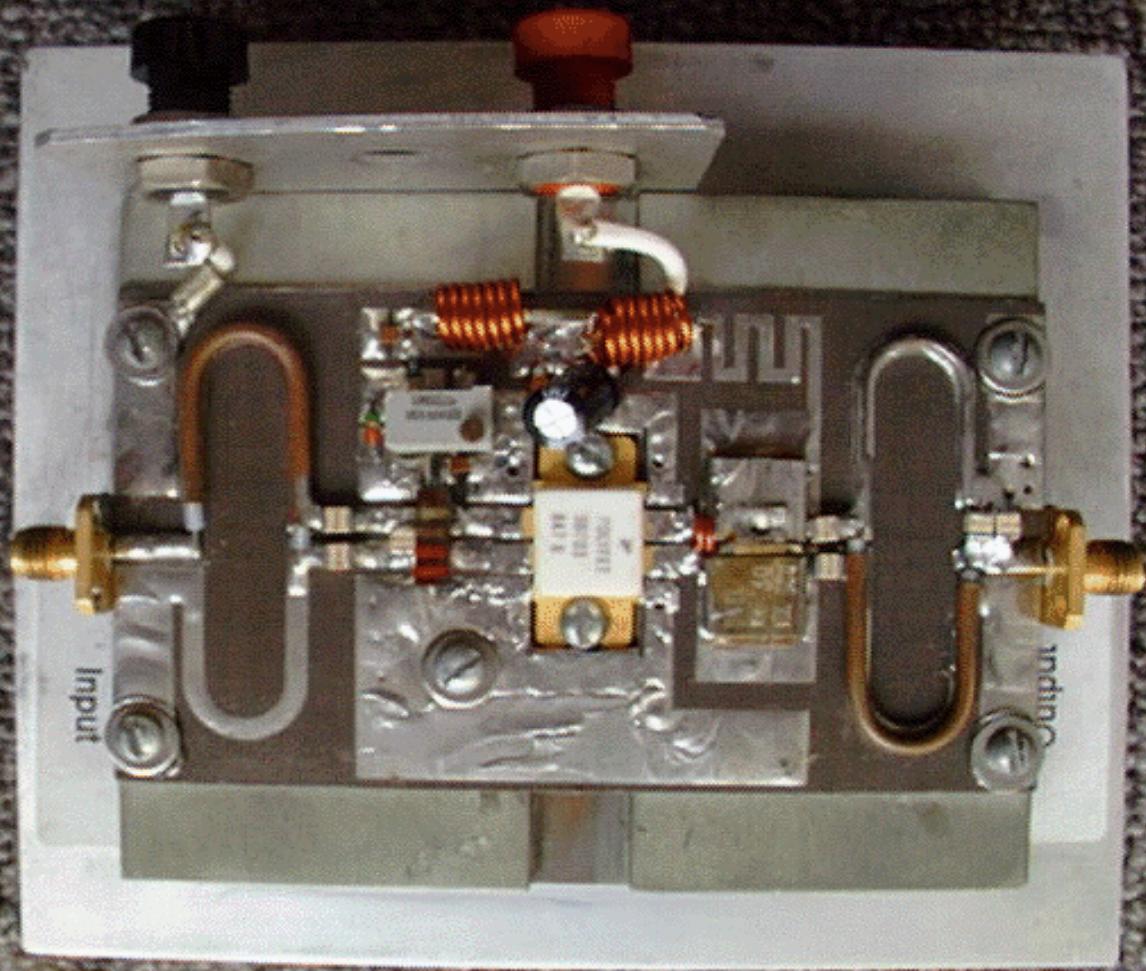


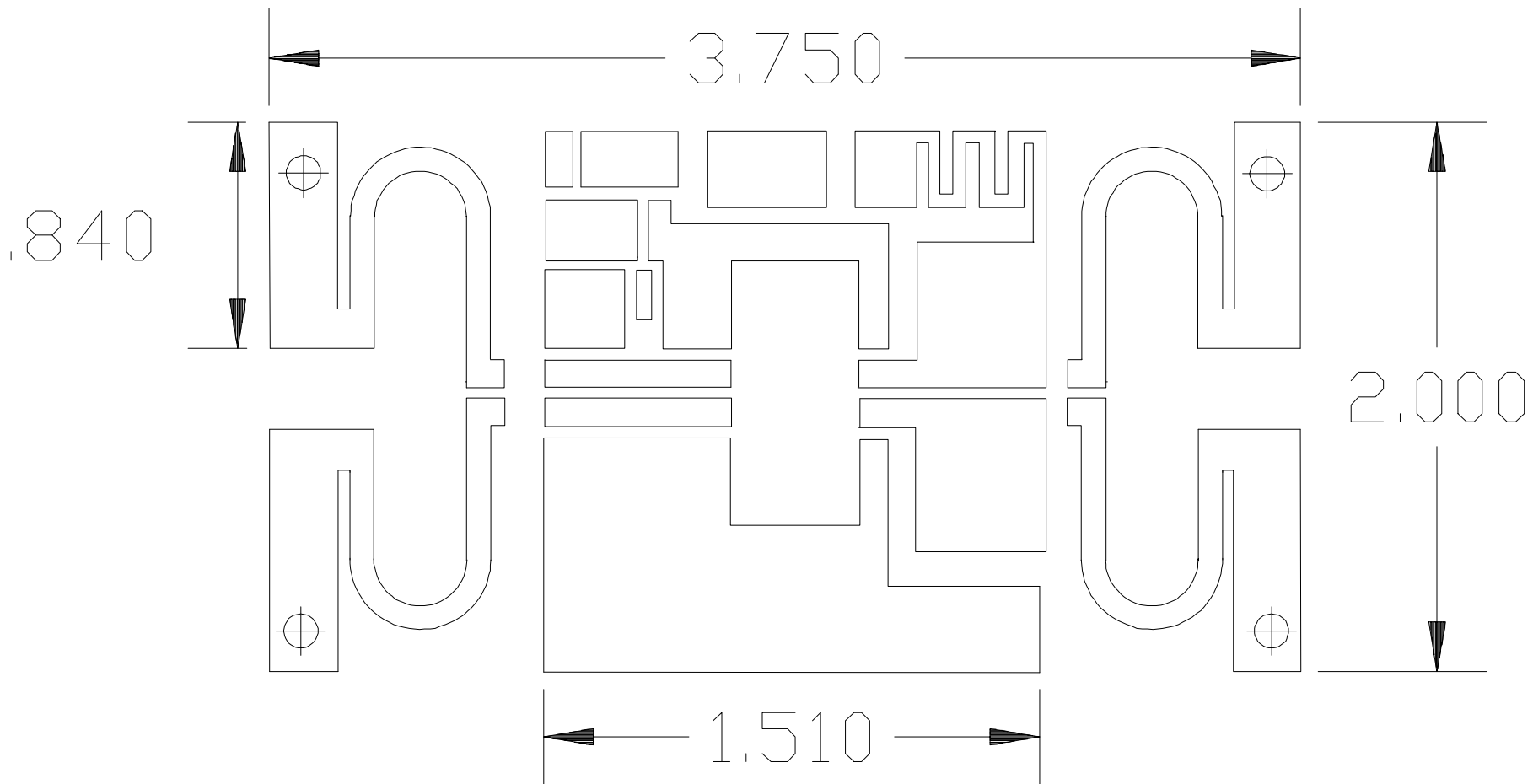
Capacitors in pf  
Resistors in ohms

DRN BY J. Citrolo	5/15/99	POLYFET RF DEVICES	
CHKD		SCHEMATIC	
ELECT		150W 285Mhz Linear Amp	
MECH		SIZE A	FSCM NO. TB-125
PRDC			REV
QUAL			
PGMS		SCALE:	SHEET OF

SD703 POUT VS PIN F=285 MHZ; IDQ=.05A; VDS=28V



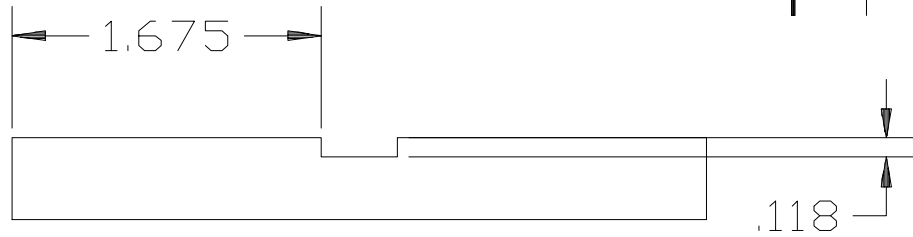




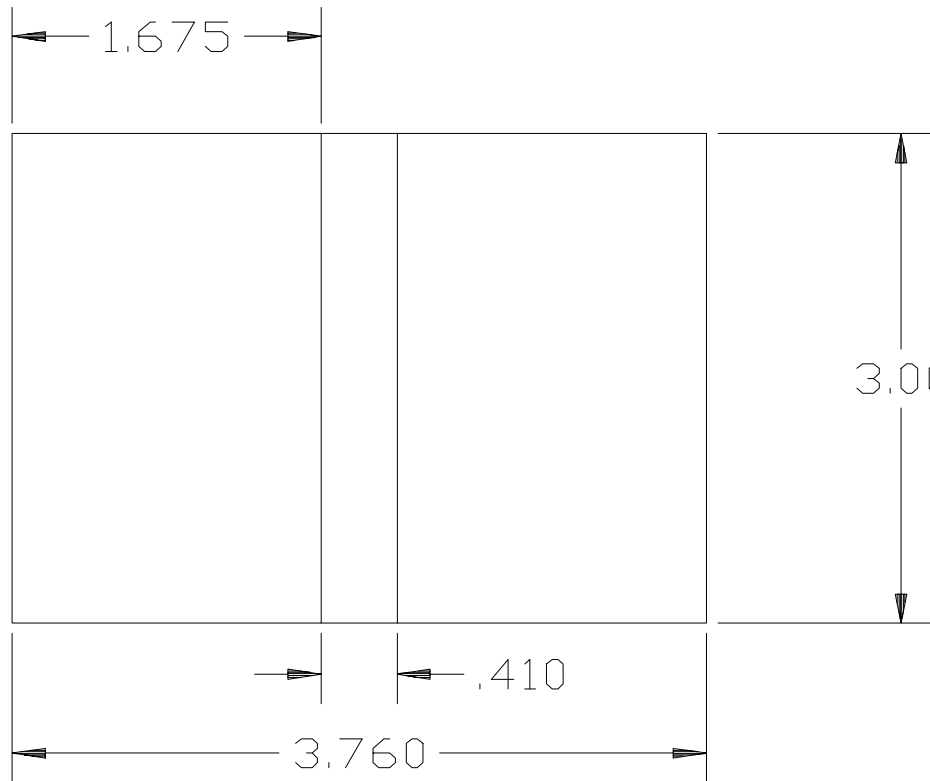
PCB Layout TB-125

REVISIONS

REV	DESCRIPTION	DATE	APPROVED



FRONT VIEW



TOP VIEW

Dimensioned in Inches  
 Tolerances unless  
 otherwise specified  
 .XX +/- .010  
 .XXX +/- .005

DRN BY J.Citrolo 11/8/95	Polyfet RF Devices		
CHKD	Heat Sink For TB-125 Amp		
ELECT	SIZE A	FSCM NO.	TB -125-B & C
MECH			REV
PRDC			
QUAL			
PGMS			