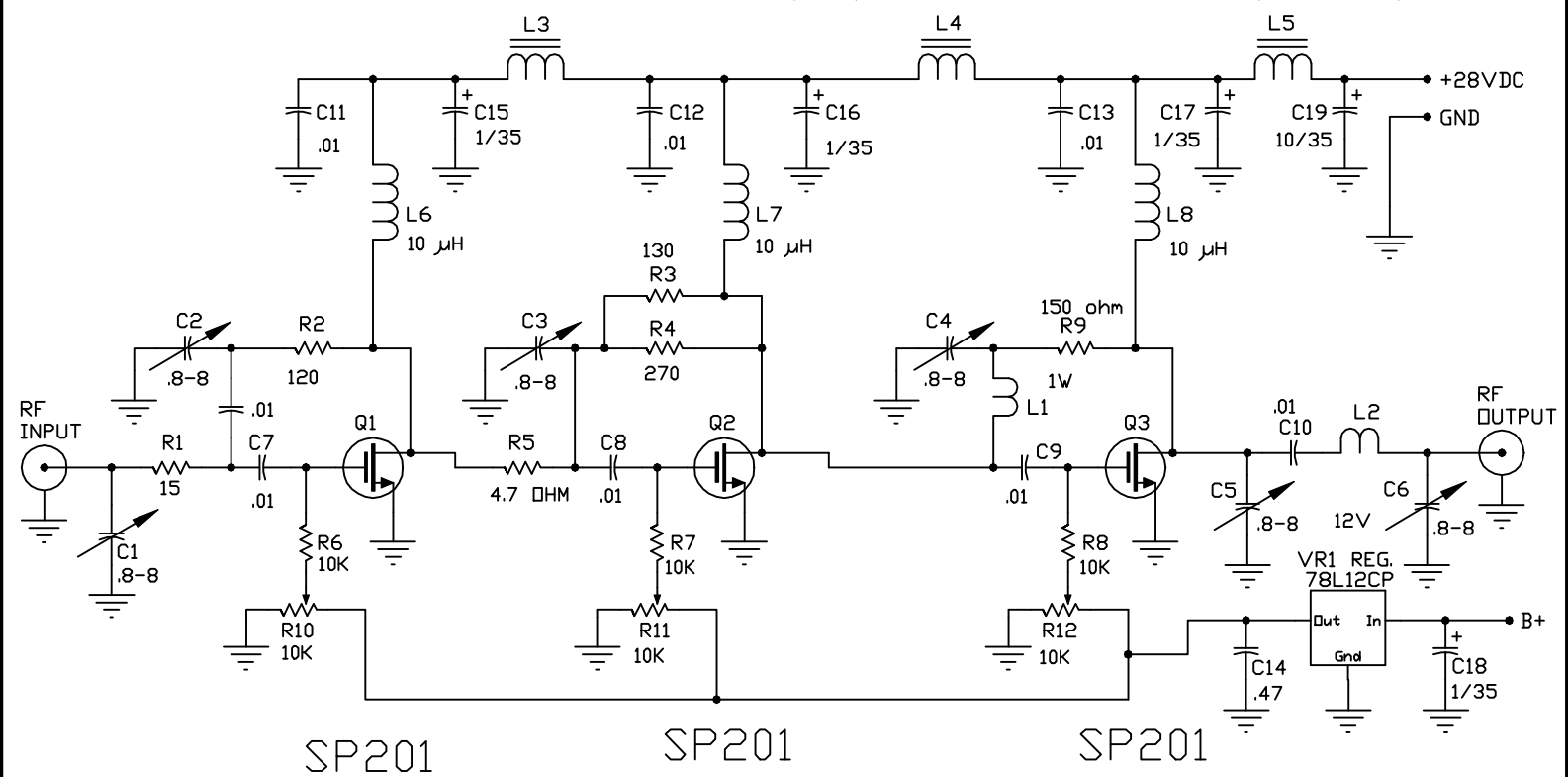


REVISIONS			
REV	DESCRIPTION	DATE	APPROVED



SP201

SP201

SP201

GAIN = 30dB  
 FLATNESS = ± 0.5dB  
 L1 = 4T #26 wire 1/8" D.D  
 L2 = 3/16" long wire loop #26 wire  
 L3, 4, 5, 15 Turns 0.17" ID toroid  
 L6, 7, 8 10uH molded choke

DRN BY S. K. LEONG	5/15/99
CHKD	
ELECT	
MECH	
PRDC	
QUAL	
PGMS	

POLYFET RF DEVICES		
SCHEMATIC		
1-1000 MHz AMPLIFIER		
SIZE	FSCM ND.	REV
A	TB-102	
SCALE:		SHEET OF